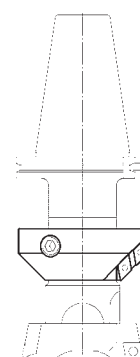
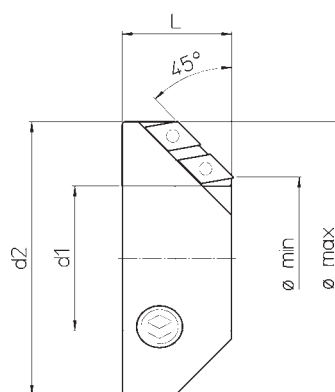





AS...45°


ART.	KOD	Ø	d ₁	d ₂	L				kg
AS 16.45	65 56 016 0013 0	18 ~ 28	16	28	13	DCMT 0702..	TS 25	TORX T08	0.035
AS 20.45	65 56 020 0015 0	22 ~ 32	20	32	15				0.045
AS 25.45	65 56 025 0018 0	28 ~ 43	25	43	18				0.1
AS 32.45	65 56 032 0022 0	35 ~ 54	32	54	22				0.2
AS 40.45	65 56 040 0030 0	46 ~ 72	40	72	30	DCMT 11T3..	TS 4	TORX T15	0.5
AS 50.45	65 56 050 0038 0	56 ~ 95	50	95	38				1.1
AS 63.45	65 56 063 0046 0	75 ~ 125	63	125	46	DCMT 1504..	TS 5	TORX T25	2.3
AS 80.45	65 56 080 0058 0	95 ~ 165	80	165	58				5.2

