

# DIN 69893 HSK-A



Arbors      Grundaufnahmen      Stożki bazowe      Mandrins      Attacchi base

Supplied with coolant tube      Lieferung inklusive Kühlmittelrohr      Zawiera króciec do doprowadzenia chłodziwa      Pourvu de raccord pour liquide d'arrosage      Completo di raccordo per il refrigerante

HSK-A	ARTYKUŁ	KOD	MHD' d <sub>1</sub>	L	L <sub>1</sub>	kg.
40	HSK-A40 MHD'32.48	41 6 32 15 040 20	32	48	28	0.4
50	HSK-A50 MHD'50.66	41 6 50 15 050 20	50	66	-	0.6
63	HSK-A63 MHD'50.66	41 6 50 15 063 20	50	66	40	0.9
	HSK-A63 MHD'63.75	41 6 63 15 063 20	63	75	-	1.1
80	HSK-A80 MHD'50.70	41 6 50 15 080 20	50	70	44	1.5
	HSK-A80 MHD'63.80	41 6 63 15 080 20	63	80	54	1.8
	HSK-A80 MHD'80.86	41 6 80 15 080 20	80	86	-	2.1
100	HSK-A100 MHD'50.72	41 6 50 15 100 20	50	72	43	2.4
	HSK-A100 MHD'63.82	41 6 63 15 100 20	63	82	53	2.7
	HSK-A100 MHD'80.88	41 6 80 15 100 20	80	88	59	3



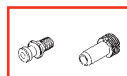
73

Supplied with coolant tube      Lieferung inklusive Kühlmittelrohr      Zawiera króciec do doprowadzenia chłodziwa      Pourvu de raccord pour liquide d'arrosage      Completo di raccordo per il refrigerante

HSK-	ARTYKUŁ	KOD	MHD' d <sub>1</sub>	L	L <sub>1</sub>	kg.
63	HSK-A63 MHD'50.120	41 6 50 15 063 28	50	120	94	1.7
100	HSK-A100 MHD'50.120	41 6 50 15 100 28	50	120	91	3.2
	HSK-A100 MHD'63.150	41 6 63 15 100 28	63	150	121	4.5
	HSK-A100 MHD'80.180	41 6 80 15 100 28	80	180	151	6.5

str. 179

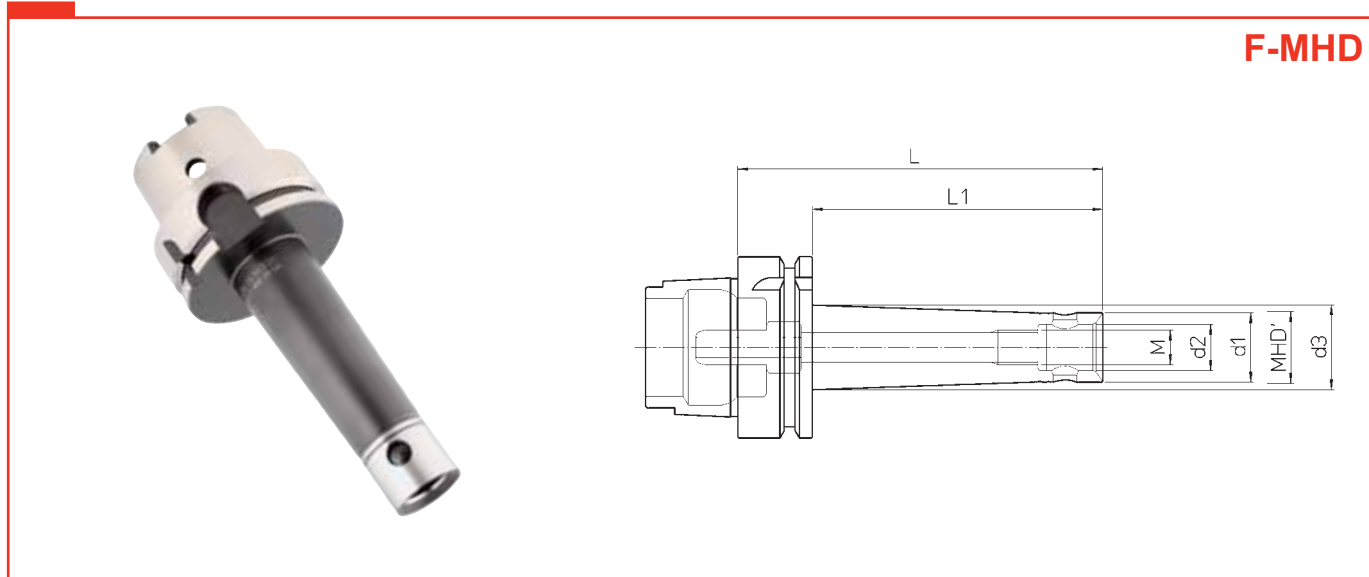
str. 209



# MODULHARD'ANDREA

# DIN 69893 HSK-A

Arbors      Grundaufnahmen      Stożki bazowe      Mandrins      Attacchi base



**F-MHD**

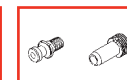
Supplied with coolant tube      Lieferung inklusive Kühlmittelrohr      Zawiera króciec do doprowadzenia chłodziwa      Pourvu de raccord pour liquide d'arrosage      Completo di raccordo per il refrigerante

HSK-	ARTYKUŁ	KOD	MHD'	d <sub>1</sub>	d <sub>2</sub>	d <sub>3</sub>	M	L	L <sub>1</sub>	kg.
63	HSK-A63 F-MHD'16.63	41 6 16 06 563 20	16	15.5	10	17	M 8	63	37	0.7
	HSK-A63 F-MHD'16.100	41 6 16 10 563 20				19.5		100	74	0.8
	HSK-A63 F-MHD'20.63	41 6 20 06 563 20	20	19.5	13	-	63	37	0.6	
	HSK-A63 F-MHD'20.90	41 6 20 09 563 20				22.5	90	64	0.8	
	HSK-A63 F-MHD'20.125	41 6 20 12 563 20				25	125	99	0.9	
	HSK-A63 F-MHD'25.63	41 6 25 06 563 20	25	24	16	-	63	37	0.7	
	HSK-A63 F-MHD'25.90	41 6 25 09 563 20				27	90	64	0.9	
	HSK-A63 F-MHD'25.125	41 6 25 12 563 20				29.5	125	99	1	
	HSK-A63 F-MHD'32.90	41 6 32 09 563 20				33.5	63	37	1	
	HSK-A63 F-MHD'32.125	41 6 32 12 563 20	32	31	20	36	M 16	125	99	1.2

74

str. 209

str. 179

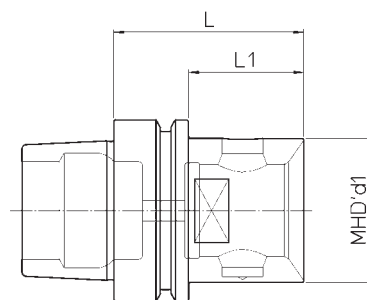
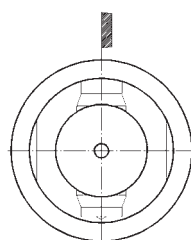


# DIN 69893 HSK



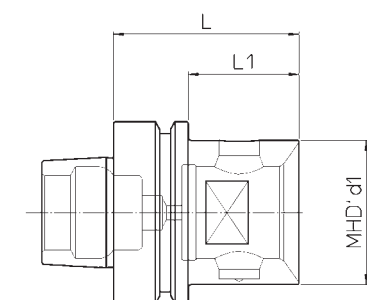
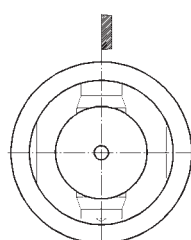
Arbors      Grundaufnahmen      Stożki bazowe      Mandrins      Attacchi base

## HSK-E



HSK-E	ARTYKUŁ	KOD	MHD' d <sub>1</sub>	L	L <sub>1</sub>	kg.
40	HSK-E40 MHD'32.42	41 6 32 15 040 25	32	42	22	0.5
50	HSK-E50 MHD'50.66	41 6 50 15 050 25	50	66	-	0.6
63	HSK-E63 MHD'50.66	41 6 50 15 063 25	50	66	40	0.9

## HSK-F



HSK-F	ART.	KOD	MHD' d <sub>1</sub>	L	L <sub>1</sub>	kg.
63	HSK-F63 MHD'50.65	41 6 50 15 063 26	50	65	39	0.8



75

str. 208-209



# MODULHARD'ANDREA

# DIN 69871

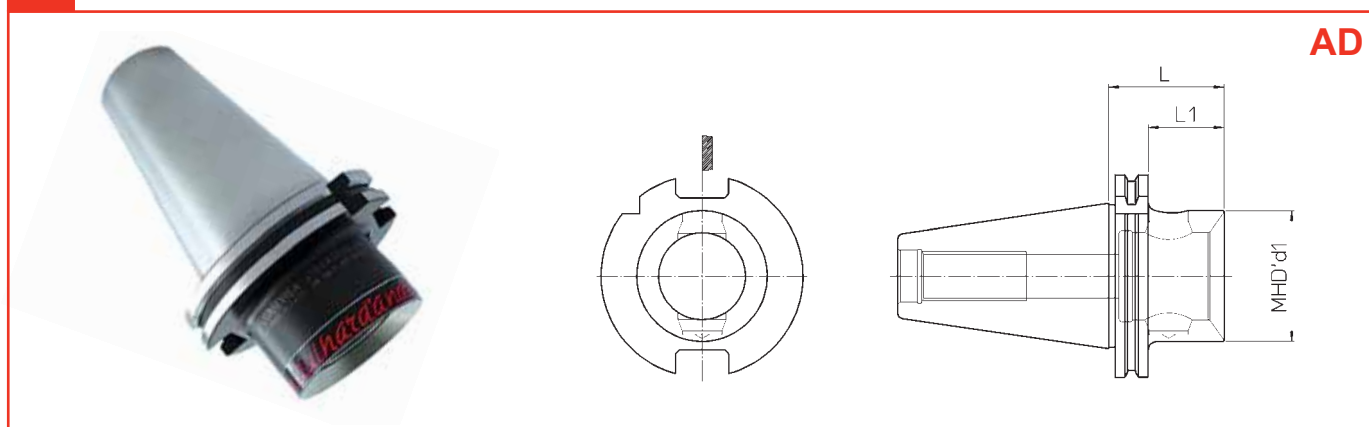
Arbors

Grundaufnahmen

Stožki bazowe

Mandrins

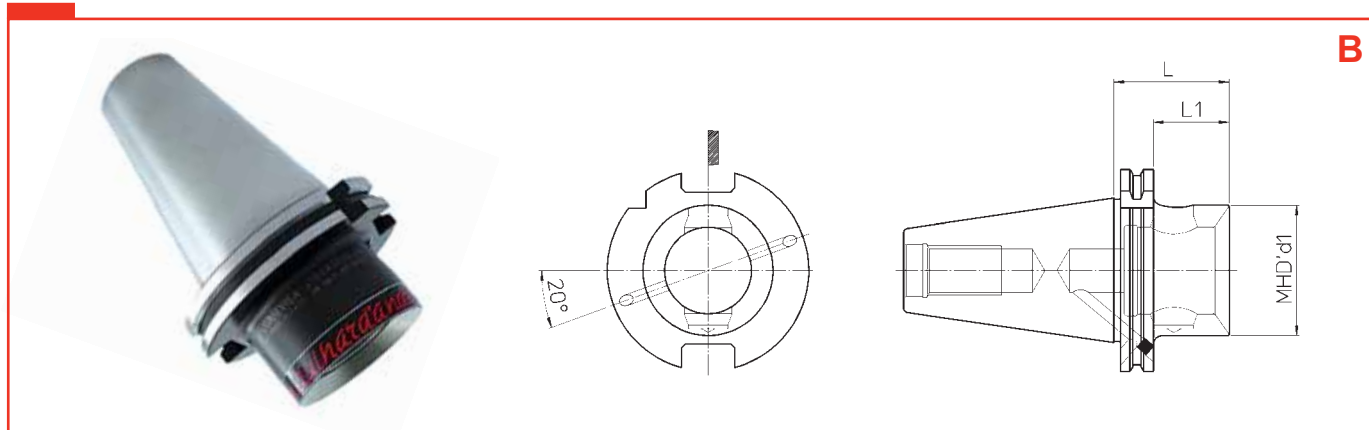
Attacchi base



ISO	REF.	CODE	MHD' d <sub>1</sub>	L	L <sub>1</sub>	kg.
30	DIN69871-A30 MHD'32.30	41 6 32 01 030 20	32	30	10.5	0.4
	DIN69871-A30 MHD'50.60	41 6 50 01 030 20	50	60	-	0.6
40	DIN69871-A40 MHD'40.45	41 6 40 01 040 20	40	45	26	0.5
	DIN69871-A40 MHD'50.48	41 6 50 01 040 20	50	48	29	0.9
	DIN69871-A40 MHD'63.80	41 6 63 01 040 20	63	80	-	1.5
45	DIN69871-A45 MHD'50.48	41 6 50 01 045 20	50	48	29	1.7
	DIN69871-A45 MHD'63.60	41 6 63 01 045 20	63	60	41	1.9
	DIN69871-A45 MHD'80.66	41 6 80 01 045 20	80	66	-	2.2
50	DIN69871-A50 MHD'50.48	41 6 50 01 050 20	50	48	29	2.7
	DIN69871-A50 MHD'63.56	41 6 63 01 050 20	63	56	37	2.8
	DIN69871-A50 MHD'80.62	41 6 80 01 050 20	80	62	43	3.4



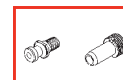
76



ISO	REF.	CODE	MHD' d <sub>1</sub>	L	L <sub>1</sub>	kg.
40	DIN69871-B40 MHD'50.48	41 6 50 01 040 21	50	48	29	0.9
	DIN69871-B40 MHD'63.80	41 6 63 01 040 21	63	80	-	1.5
45	DIN69871-B45 MHD'50.48	41 6 50 01 045 21	50	48	29	1.7
	DIN69871-B45 MHD'63.60	41 6 63 01 045 21	63	60	41	1.9
	DIN69871-B45 MHD'80.66	41 6 80 01 045 21	80	66	-	2.2
50	DIN69871-B50 MHD'50.48	41 6 50 01 050 21	50	48	29	2.7
	DIN69871-B50 MHD'63.56	41 6 63 01 050 21	63	56	37	2.8
	DIN69871-B50 MHD'80.62	41 6 80 01 050 21	80	62	43	3.4

p. 210

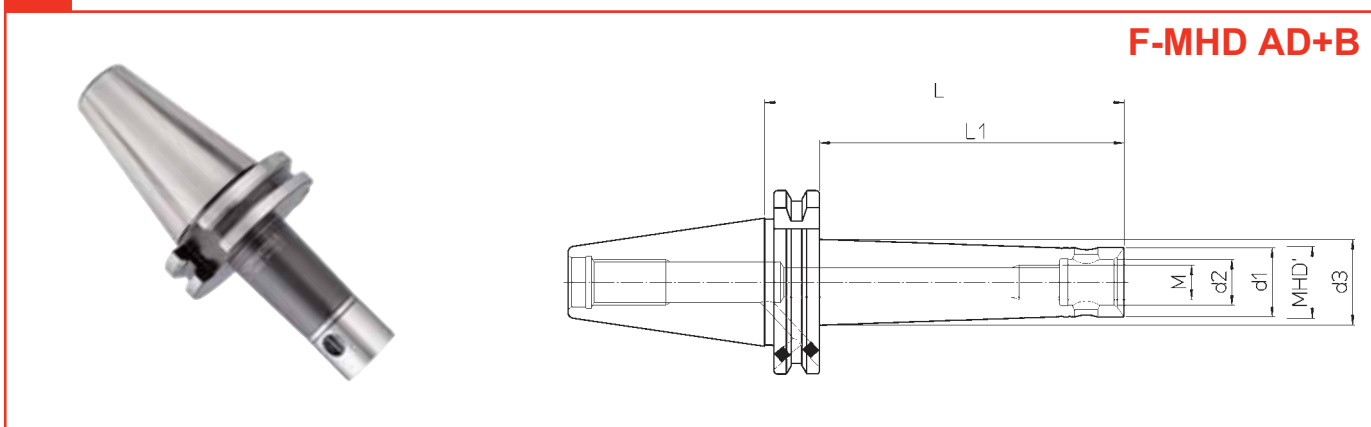
p. 178



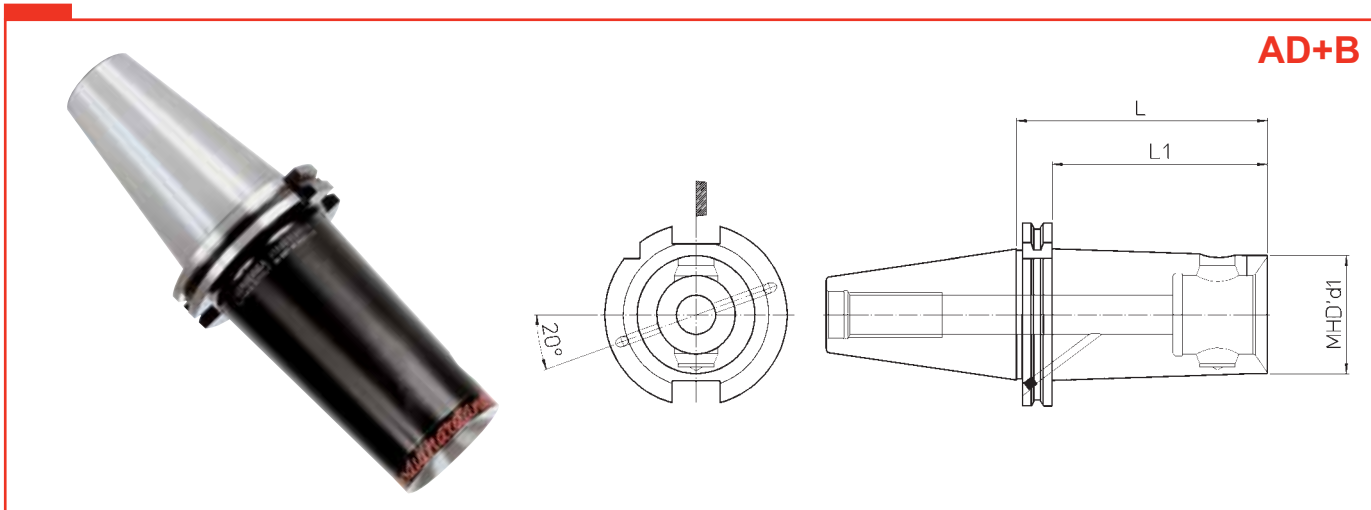
# DIN 69871



Arbors      Grundaufnahmen      Stożki bazowe      Mandrins      Attacchi base

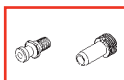


ISO	ART.	KOD	MHD'	d <sub>1</sub>	d <sub>2</sub>	d <sub>3</sub>	M	L	L <sub>1</sub>	kg.
40	DIN69871-AD+B40 F-MHD'16.40	41 6 16 04 140 21	16	15.5	10	-	M 8	40	21	0.7
	DIN69871-AD+B40 F-MHD'16.63	41 6 16 06 140 21				17.5		63	44	0.8
	DIN69871-AD+B40 F-MHD'16.100	41 6 16 10 140 21				20		100	81	0.9
	DIN69871-AD+B40 F-MHD'20.50	41 6 20 05 140 21	20	19.5	13	-	M 10	50	31	0.8
	DIN69871-AD+B40 F-MHD'20.80	41 6 20 08 140 21				22.5		80	61	0.9
	DIN69871-AD+B40 F-MHD'20.125	41 6 20 12 140 21				25.5		125	106	1
	DIN69871-AD+B40 F-MHD'25.50	41 6 25 05 140 21	25	24	16	-	M 12	50	31	0.9
	DIN69871-AD+B40 F-MHD'25.80	41 6 25 08 140 21				27		80	61	1
	DIN69871-AD+B40 F-MHD'25.125	41 6 25 12 140 21				30		125	106	1.1
	DIN69871-AD+B40 F-MHD'32.50	41 6 32 05 140 21	32	31	20	-	M 16	50	31	1
	DIN69871-AD+B40 F-MHD'32.80	41 6 32 08 140 21				33.5		80	61	1.1
	DIN69871-AD+B40 F-MHD'32.125	41 6 32 12 140 21				36.5		125	106	1.2



ISO	ART.	KOD	MHD' d <sub>1</sub>	L	L <sub>1</sub>	kg.
40	DIN69871-AD+B40 MHD'40.120	41 6 40 01 040 28	40	120	101	1.4
	DIN69871-AD+B40 MHD'50.120	41 6 50 01 040 28	50	120	101	1.7
50	DIN69871-AD+B50 MHD'50.120	41 6 50 01 050 28	50	120	101	3.5
	DIN69871-AD+B50 MHD'63.150	41 6 63 01 050 28	63	150	131	5
	DIN69871-AD+B50 MHD'80.180	41 6 80 01 050 28	80	180	161	6.9

str. 178



str. 210

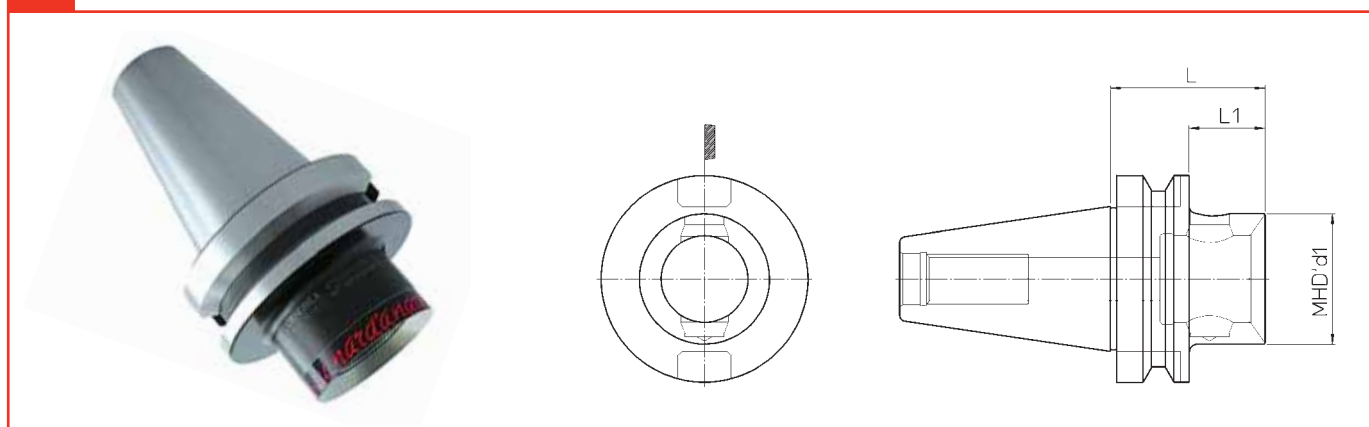


77

# MODULHARD'ANDREA

# MAS 403 BT

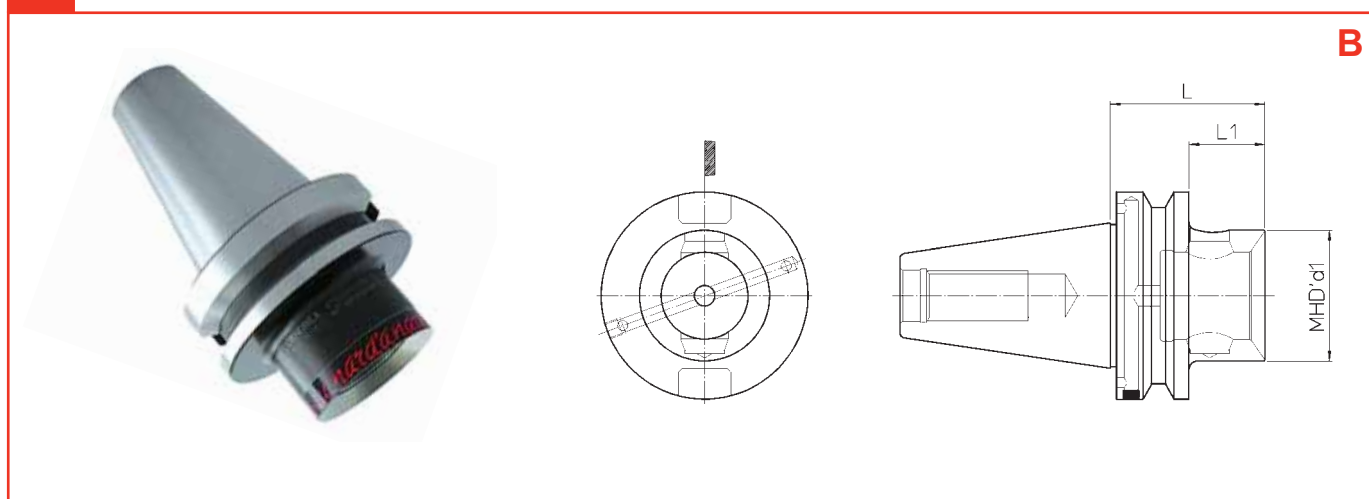
Arbors      Grundaufnahmen      Stożki bazowe      Mandrins      Attacchi base



ISO	ART.	KOD	MHD' d <sub>1</sub>	L	L <sub>1</sub>	kg.
30	MAS403 BT30 MHD'32.32	41 6 32 01 030 30	32	32	10.6	0.5
	MAS403 BT30 MHD'50.60	41 6 50 01 030 30	50	60	-	0.7
35	MAS403 BT35 MHD'50.60	41 6 50 01 035 30	50	60	36	0.8
40	MAS403 BT40 MHD'40.45	41 6 40 01 040 30	40	45	18	0.6
	MAS403 BT40 MHD'50.48	41 6 50 01 040 30	50	48	21	0.9
	MAS403 BT40 MHD'63.66	41 6 63 01 040 30	63	66	-	1.2
45	MAS403 BT45 MHD'50.62	41 6 50 01 045 30	50	62	29	1.7
	MAS403 BT45 MHD'63.70	41 6 63 01 045 30	63	70	37	2.3
	MAS403 BT45 MHD'80.70	41 6 80 01 045 30	80	70	37	2.7
50	MAS403 BT50 MHD'50.66	41 6 50 01 050 30	50	66	28	3.5
	MAS403 BT50 MHD'63.75	41 6 63 01 050 30	63	75	37	3.7
	MAS403 BT50 MHD'80.75	41 6 80 01 050 30	80	75	37	4



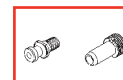
78



ISO	ART.	KOD	MHD' d <sub>1</sub>	L	L <sub>1</sub>	kg.
40	MAS403 BT40B MHD'50.48	41 6 50 01 040 31	50	48	21	0.9
	MAS403 BT40B MHD'63.66	41 6 63 01 040 31	63	66	-	1.2
50	MAS403 BT50B MHD'50.66	41 6 50 01 050 31	50	66	28	3.5
	MAS403 BT50B MHD'63.75	41 6 63 01 050 31	63	75	37	3.7
	MAS403 BT50B MHD'80.75	41 6 80 01 050 31	80	75	37	4

str. 211

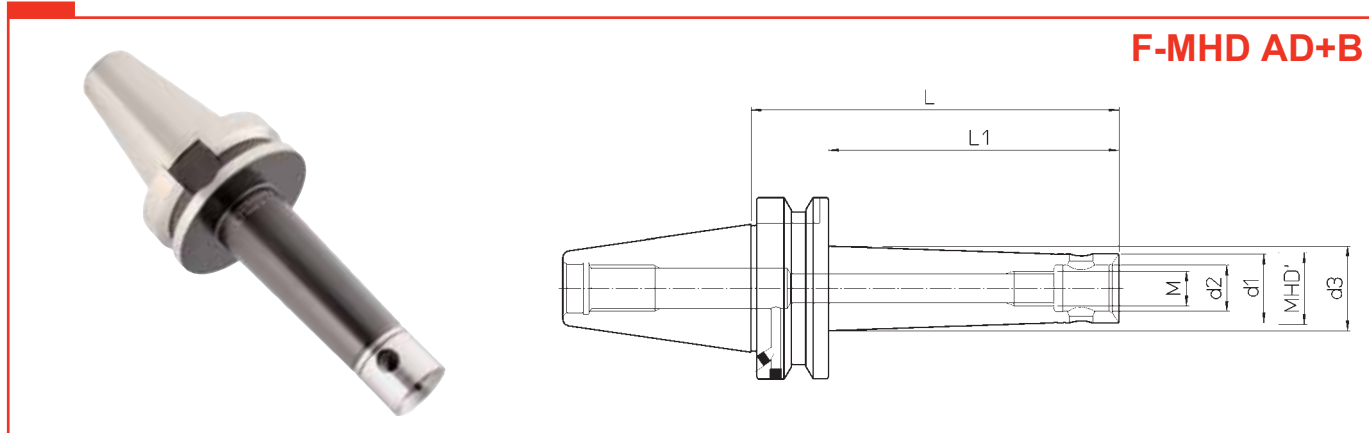
str. 178



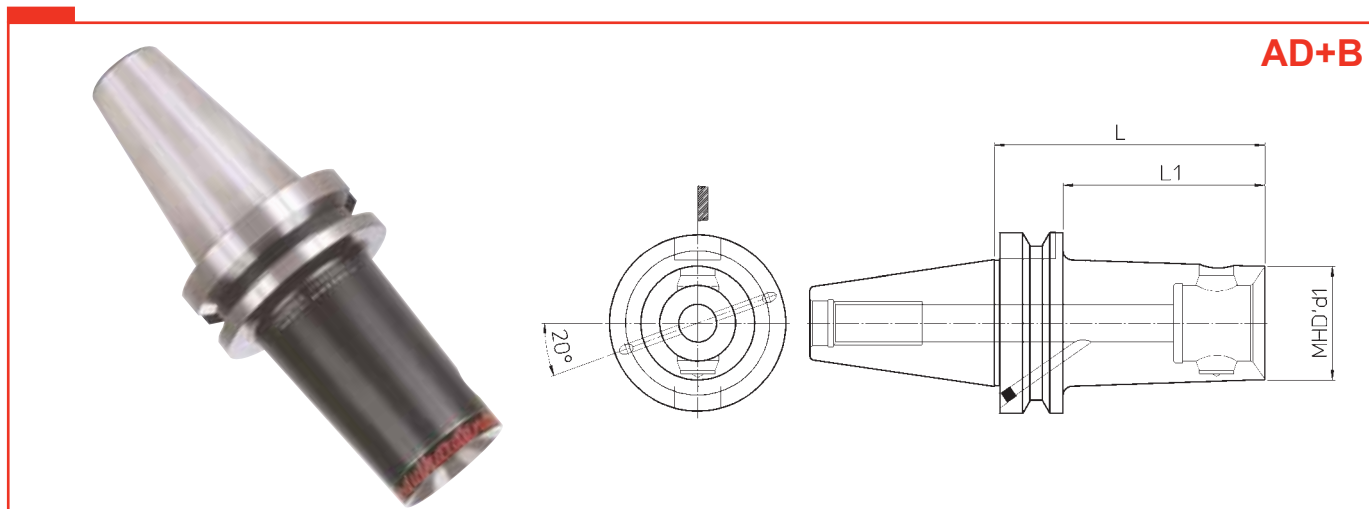
# MAS 403 BT



Arbors      Grundaufnahmen      Stożki bazowe      Mandrins      Attacchi base



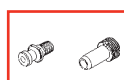
ISO	ART.	KOD	MHD'	d <sub>1</sub>	d <sub>2</sub>	d <sub>3</sub>	M	L	L <sub>1</sub>	kg.
40	MAS403 BT40-AD+B F-MHD'16.45	41 6 16 04 140 31	16	15.5	10	-	M 8	45	18	0.8
	MAS403 BT40-AD+B F-MHD'16.63	41 6 16 06 140 31				17		63	36	0.9
	MAS403 BT40-AD+B F-MHD'16.100	41 6 16 10 140 31				19.5		100	73	1
	MAS403 BT40-AD+B F-MHD'20.50	41 6 20 05 140 31	20	19.5	13	-	M 10	50	23	0.9
	MAS403 BT40-AD+B F-MHD'20.80	41 6 20 08 140 31				22		80	53	1
	MAS403 BT40-AD+B F-MHD'20.125	41 6 20 12 140 31				25		125	98	1.1
	MAS403 BT40-AD+B F-MHD'25.50	41 6 25 05 140 31	25	24	16	-	M 12	50	23	1
	MAS403 BT40-AD+B F-MHD'25.80	41 6 25 08 140 31				26.5		80	53	1.1
	MAS403 BT40-AD+B F-MHD'25.125	41 6 25 12 140 31				29.5		125	98	1.2
	MAS403 BT40-AD+B F-MHD'32.50	41 6 32 05 140 31	32	31	20	-	M 16	50	23	1.1
	MAS403 BT40-AD+B F-MHD'32.80	41 6 32 08 140 31				33		80	53	1.2
	MAS403 BT40-AD+B F-MHD'32.125	41 6 32 12 140 31				36		125	98	1.4



ISO	ART.	KOD	MHD' d <sub>1</sub>	L	L <sub>1</sub>	kg.
40	MAS403 BT40-AD+B MHD'40.120	41 6 40 01 040 38	40	120	93	0.9
	MAS403 BT40-AD+B MHD'50.120	41 6 50 01 040 38	50	120	93	1.9
50	MAS403 BT50-AD+B MHD'50.120	41 6 50 01 050 38	50	120	82	4.2
	MAS403 BT50-AD+B MHD'63.150	41 6 63 01 050 38	63	150	112	5.8
	MAS403 BT50-AD+B MHD'80.180	41 6 80 01 050 38	80	180	142	7.5

str. 178

str. 211



79

# MODULHARD'ANDREA

# ANSI / CAT

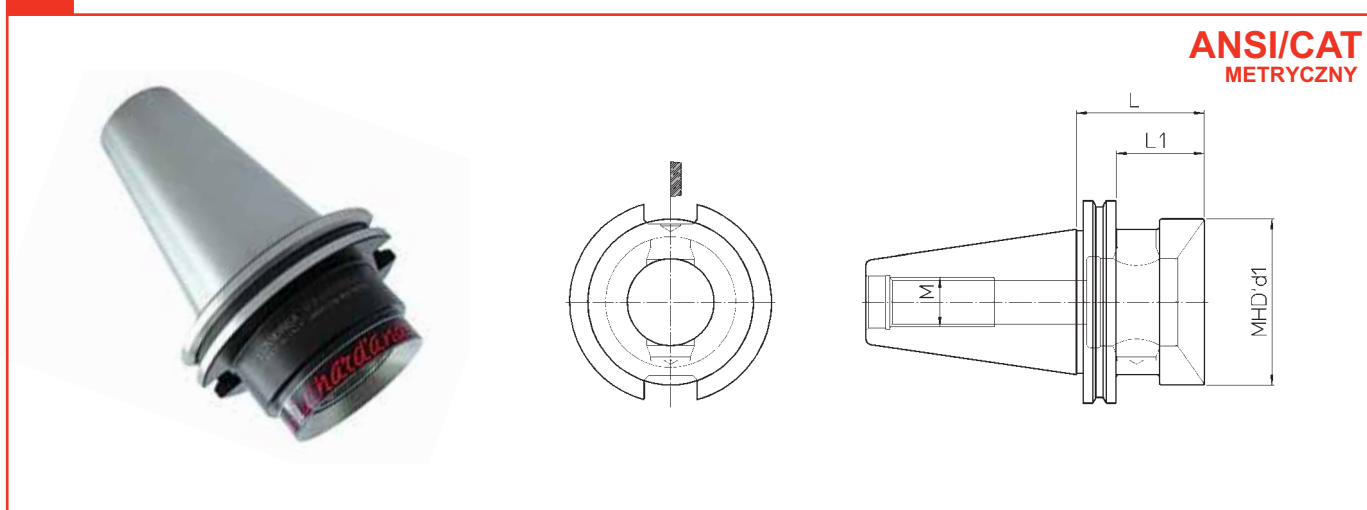
Arbors

Grundaufnahmen

Stożki bazowe

Mandrins

Attacchi base



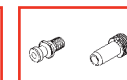
ISO	ART.	KOD	MHD' d <sub>1</sub>	L	L <sub>1</sub>	M	kg.
40	ANSI/CAT40 MHD'50.66	41 6 50 01 040 40	50	66	47	M16	1.1
	ANSI/CAT40 MHD'63.100	41 6 63 01 040 40	63	100	-		1.9
45	ANSI/CAT45 MHD'50.48	41 6 50 01 045 40	50	48	29	M20	1.7
	ANSI/CAT45 MHD'63.75	41 6 63 01 045 40	63	75	56		2.1
	ANSI/CAT45 MHD'80.80	41 6 80 01 045 40	80	80	-		2.7
50	ANSI/CAT50 MHD'50.48	41 6 50 01 050 40	50	48	29	M24	2.4
	ANSI/CAT50 MHD'63.56	41 6 63 01 050 40	63	56	37		2.9
	ANSI/CAT50 MHD'80.62	41 6 80 01 050 40	80	62	43		3.2



80

str. 212

str. 178

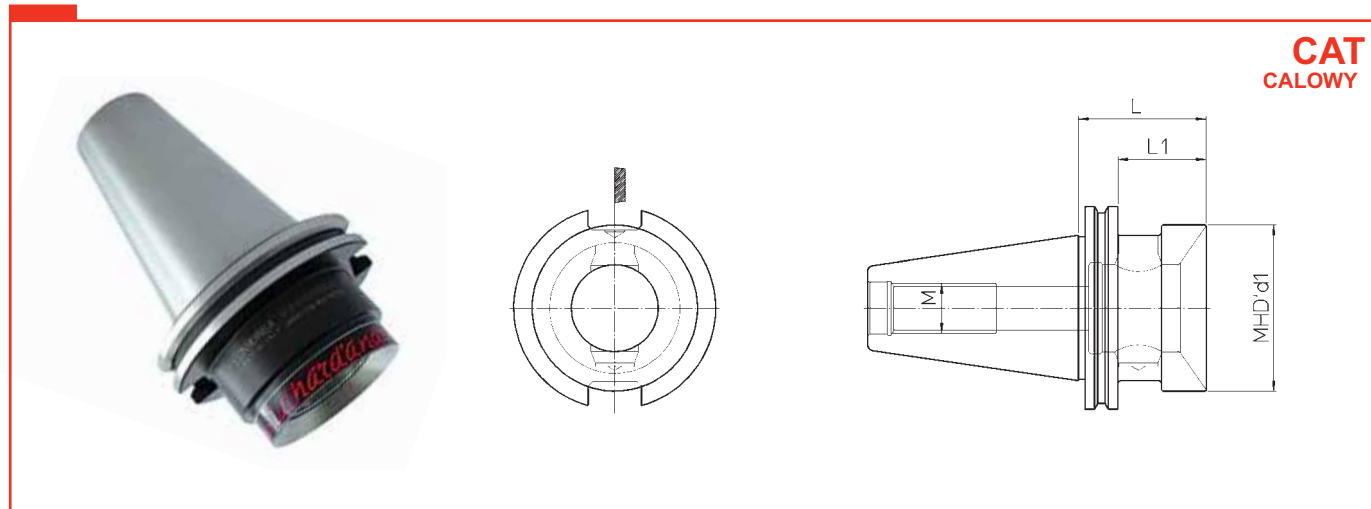




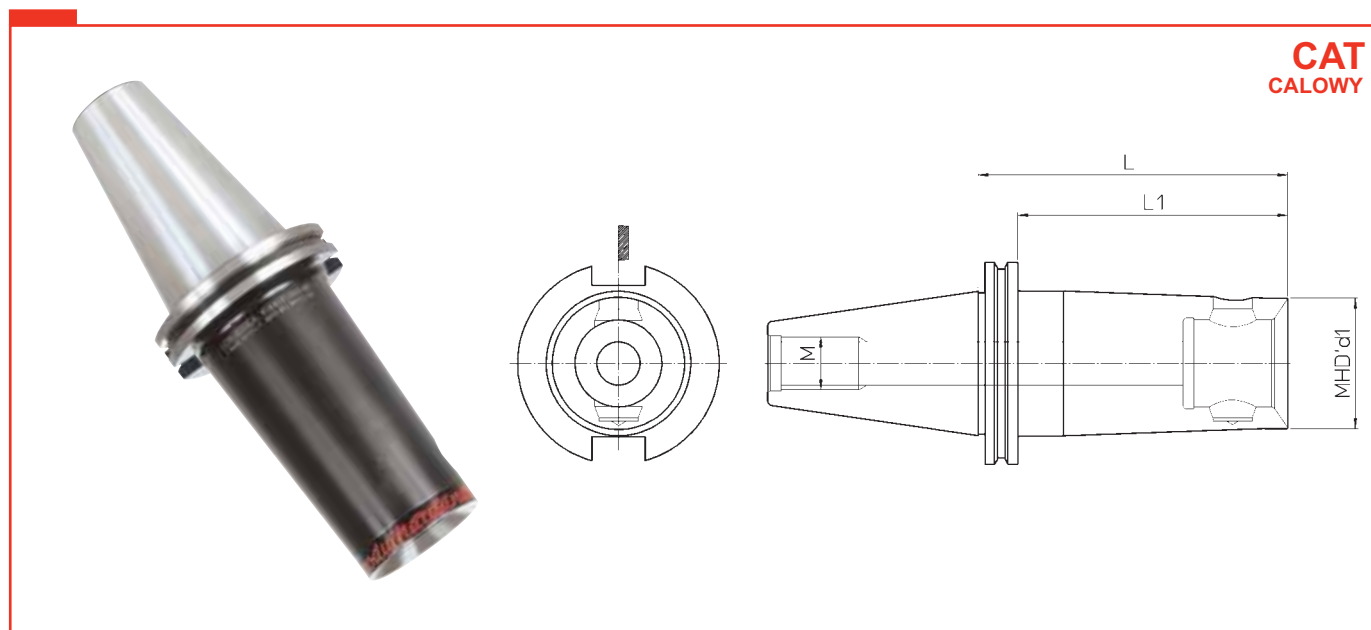
# ANSI / CAT



Arbors      Grundaufnahmen      Stożki bazowe      Mandrins      Attacchi base



ISO	ART.	KOD	MHD' d <sub>1</sub>	L	L <sub>1</sub>	M	kg.
40	CAT40UNC MHD'50.66	41 6 50 01 040 45	50	2.60"	1.85"	UNC 5/8 - 11	1.1
	CAT40UNC MHD'63.100	41 6 63 01 040 45	63	3.94"	-		1.9
45	CAT45UNC MHD'50.48	41 6 50 01 045 45	50	1.89"	1.14"	UNC 3/4 - 10	1.7
	CAT45UNC MHD'63.75	41 6 63 01 045 45	63	2.95"	2.20"		2.1
	CAT45UNC MHD'80.80	41 6 80 01 045 45	80	3.15"	-		2.7
50	CAT50UNC MHD'50.48	41 6 50 01 050 45	50	1.89"	1.14"	UNC 1 - 8	2.4
	CAT50UNC MHD'63.56	41 6 63 01 050 45	63	2.20"	1.46"		2.9
	CAT50UNC MHD'80.62	41 6 80 01 050 45	80	2.44"	1.69"		3.2

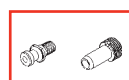


ISO	ART.	KOD	MHD' d <sub>1</sub>	L	L <sub>1</sub>	M	kg.
40	CAT40UNC MHD'50.120	41 6 50 01 040 49	50	4.72"	3.98"	UNC 5/8 - 11	1.7
50	CAT50UNC MHD'50.120	41 6 50 01 050 49	50	4.72"	3.98"	UNC 1 - 8	3.5
	CAT50UNC MHD'63.150	41 6 63 01 050 49	63	5.90"	5.16"		5
	CAT50UNC MHD'80.180	41 6 80 01 050 49	80	7.09"	6.34"		6.9



81

str. 179



str. 212



# MODULHARD'ANDREA

Arbors

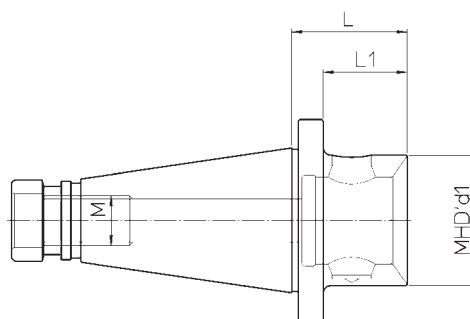
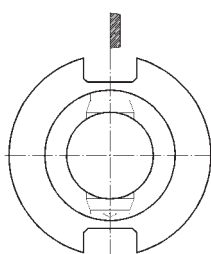
Grundaufnahmen

Stożki bazowe

Mandrins

Attacchi base

## DIN 2080-A 'OTT'

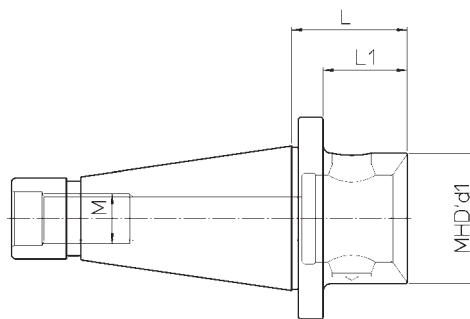
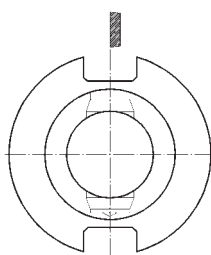


ISO	ART.	KOD	MHD' d <sub>1</sub>	L	L <sub>1</sub>	M	kg.
30	DIN2080-A30 MHD'50.58	41 6 50 01 030 00	50	58	-	M12	0.6
40	DIN2080-A40 MHD'50.48	41 6 50 01 040 00	50	48	36.5	M16	0.9
	DIN2080-A40 MHD'63.60	41 6 63 01 040 00	63	60	-		1.2
45	DIN2080-A45 MHD'50.48	41 6 50 01 045 00	50	48	33	M20	1.6
	DIN2080-A45 MHD'63.60	41 6 63 01 045 00	63	60	45		1.9
	DIN2080-A45 MHD'80.66	41 6 80 01 045 00	80	66	-		2.2
50	DIN2080-A50 MHD'50.48	41 6 50 01 050 00	50	48	33	M24	2.6
	DIN2080-A50 MHD'63.56	41 6 63 01 050 00	63	56	41		2.7
	DIN2080-A50 MHD'80.60	41 6 80 01 050 00	80	60	45		3.2



82

## NMTB



ISO	ART.	KOD	MHD' d <sub>1</sub>	L	L <sub>1</sub>	M	kg.
40	NMTB40 MHD'50.48	41 6 50 01 040 05	50	48	36.5	UNC 5/8 - 11	0.9
	NMTB40 MHD'63.60	41 6 63 01 040 05	63	60	-		1.2
50	NMTB50 MHD'50.48	41 6 50 01 050 05	50	48	33	UNC 1 - 8	2.6
	NMTB50 MHD'63.56	41 6 63 01 050 05	63	56	41		2.7
	NMTB50 MHD'80.60	41 6 80 01 050 05	80	60	45		3.2

str. 213



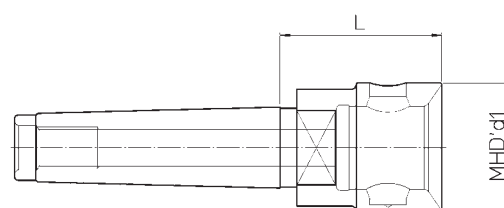
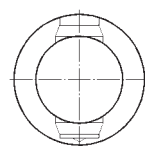
Arbors

Grundaufnahmen

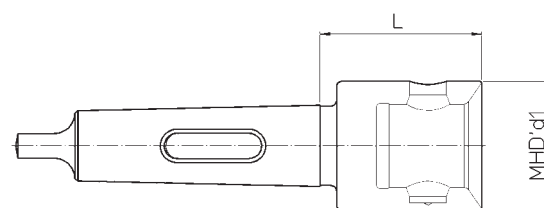
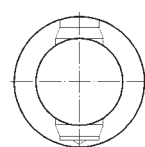
Stożki bazowe

Mandrins

Attacchi base

**DIN 228/A 2207**


MORSE	ART.	KOD	MHD' d <sub>1</sub>	L	M	kg.
4	MORSE4-A MHD'50.63	41 6 50 03 004 00	50	63	M16	0.9
4 SIP	MORSE4-A SIP MHD'50.63	41 6 50 03 004 01			M14	

**DIN 228/B 1806**


MORSE	ART.	KOD	MHD' d <sub>1</sub>	L	kg.
4	MORSE4-B MHD'50.56	41 6 50 02 004 00	50	56	0.9
5	MORSE5-B MHD'63.65	41 6 63 02 005 00	63	65	1.5



# MODULHARD'ANDREA

Arbors      Grundaufnahmen      Stożki bazowe      Mandrins      Attacchi base

**R8**  
**METRYCZNE/CALOWE**

ART.	KOD	MHD' d <sub>1</sub>	L	M	kg.
R 8 (M12)	41 6 50 05 008 00	50	50	M12x1.75	0.8
R 8 (UNF 7/16-20)	41 6 50 05 008 05	50	1.97"	UNF 7/16 - 20	0.8

**BR**

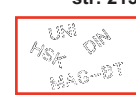
**METRYCZNE**

ART.	KOD	MHD' d <sub>1</sub>	L	L <sub>1</sub>	d <sub>2</sub>	fig.	kg.
BR 16/16.100	65 70 816 0100 1	16	100	66	16	1	0.15
BR 20/20.125	65 70 820 0125 1	20	125	85	20	1	0.3
BR 25/32.35	41 6 32 08 025 00	32	100	35	25	2	0.7
BR 32/50.60	41 6 50 08 032 00	50	140	60	32	2	1

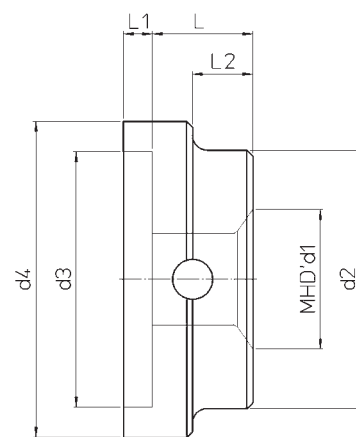
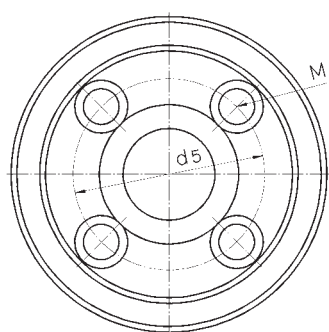
**CALOWE**

ART.	KOD	MHD' d <sub>1</sub>	L	L <sub>1</sub>	d <sub>2</sub>	fig.	kg.
BR 1 32.35	41 6 32 08 025 05	32	3.94"	1.38"	1"	2	0.7
BR 1-1/4 50.60	41 6 50 08 032 05	50	5.51"	2.36"	1.25"	2	1

84

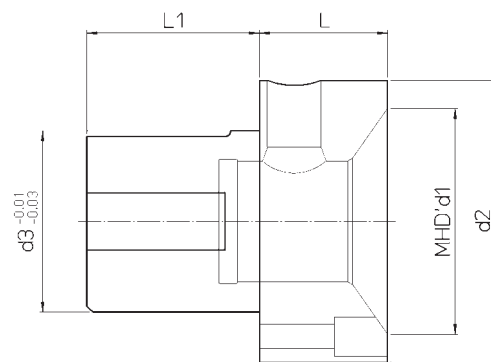
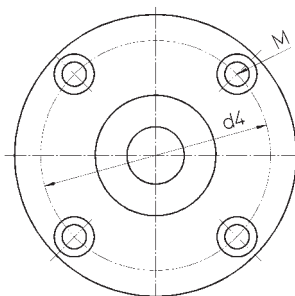


### DIN 2079



ART.	KOD	MHD' d <sub>1</sub>	d <sub>2</sub>	d <sub>3</sub>	d <sub>4</sub>	d <sub>5</sub>	L	L <sub>1</sub>	L <sub>2</sub>	M	kg.
DIN 2079-40.50	41 6 50 20 040 00	50	90	88.89	110	66.7	35	10	21	M12	1.8
DIN 2079-40.63	41 6 63 20 040 00	63	90	88.89	110	66.7	47	10	31	M12	2
DIN 2079-50.63	41 6 63 20 050 00	63	135	128.57	150	101.6	45	12	31	M16	5.4
DIN 2079-50.80	41 6 80 20 050 00	80	135	128.57	150	101.6	50	12	36	M16	5.3

### MR



ART.	KOD	MHD' d <sub>1</sub>	d <sub>2</sub>	d <sub>3</sub>	d <sub>4</sub>	L	L <sub>1</sub>	M	kg.
MR 50/80.80	45 02 080 0106 0	63 - 80	80	50	65	45	50	M6	1.5
MR 63/98.80	45 02 098 0106 0	63 - 80	98	63	80	45	60	M8	3.1
MR 80/130.80	45 02 130 0124 0	63 - 80	130	80	104.6	45	80	M10	6.1