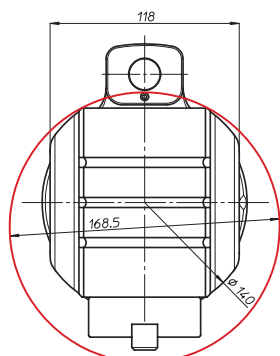
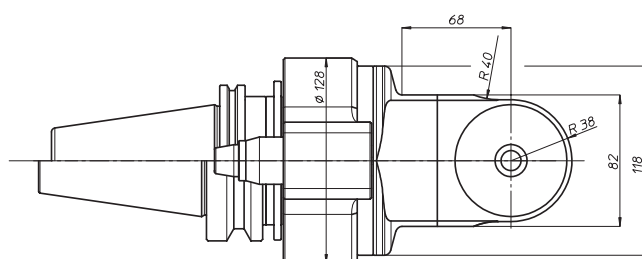
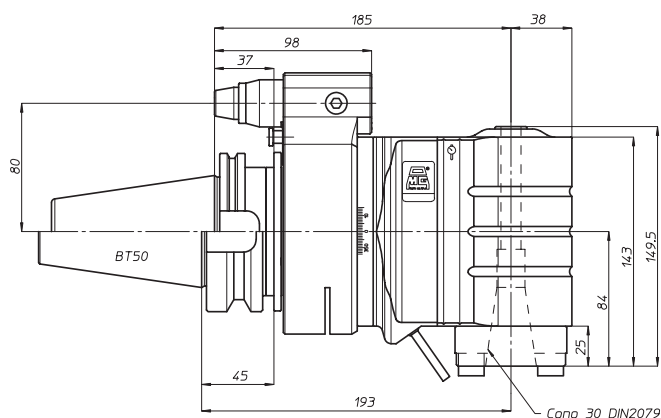


TA20.30

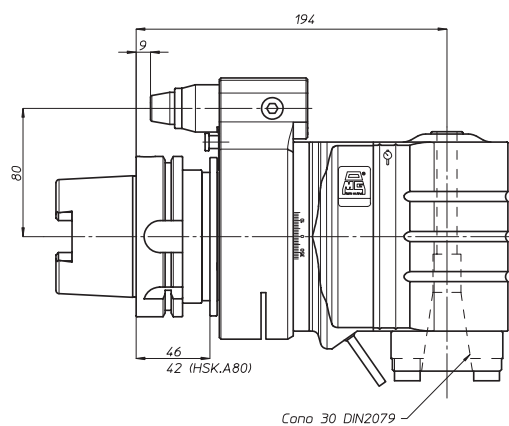
TA20.30-DIN69871.A45
 TA20.30-DIN69871.A50
 TA20.30-ANSI B5.50 CAT50
 TA20.30-MAS403.BT50



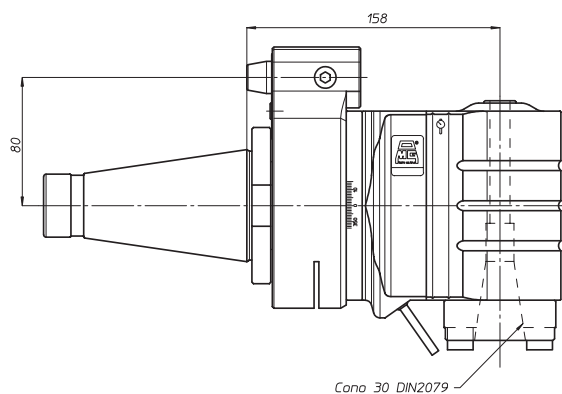
Diametro minimo del foro in cui entra la testa



TA20.30-DIN69893.HSK.A80
 TA20.30-DIN69893.HSK.A100



TA20.30-DIN2080.50
 TA20.30-ANSI B5.18 NMTB50



peso/weight



14,7 kg

rotazione/rotation

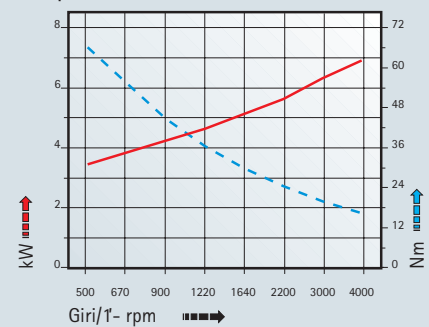


input



output

prestazioni performances **TA20.30**



TA

MO

HT

VH

TSI/TSX

T

MT-TC-TC3

Accessori
Accessories

Appendice tecnica
Technical supplement

TA

MO

HT

VH

TSI/TSX

T

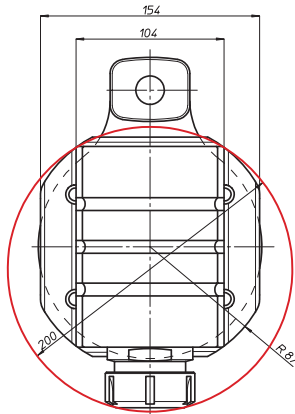
MT-TC-TC3

Accessori
AccessoriesAppendice tecnica
Technical supplement

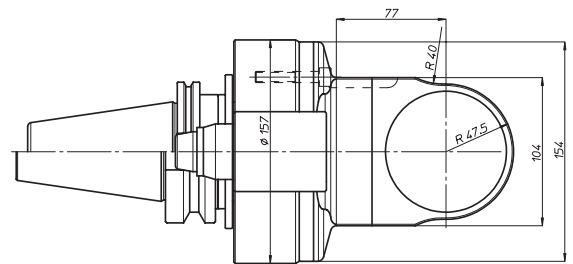
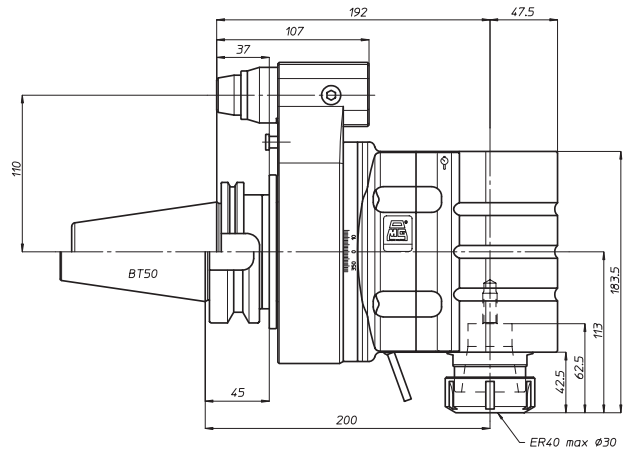
testa ad angolo - angle head

TA26P

TA26P-DIN69871.A50
TA26P-ANSI B5.50 CAT50
TA26P-MAS403.BT50



Diametro minimo del foro
in cui entra la testa



peso/weight



22 kg

rotazione/rotation

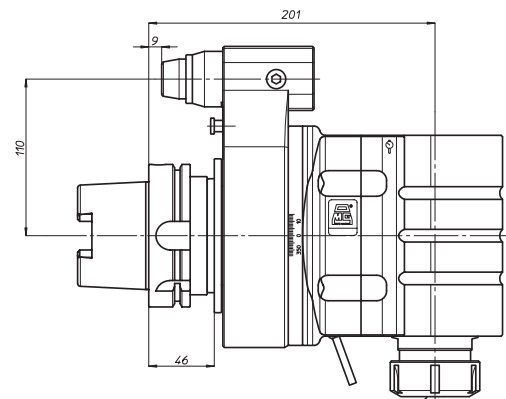
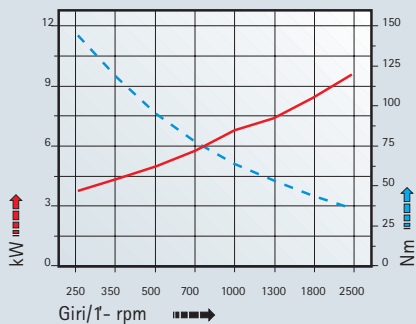


input

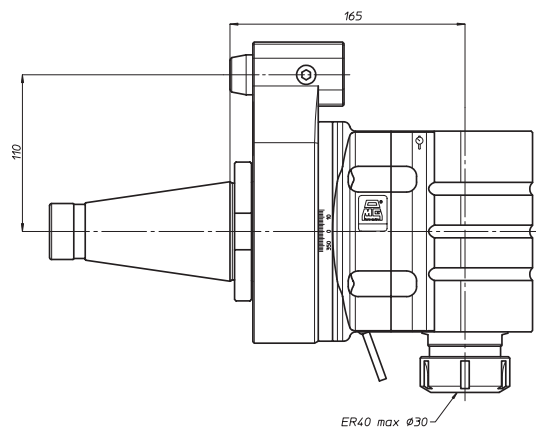


output

TA26P-DIN69893.HSK.A100

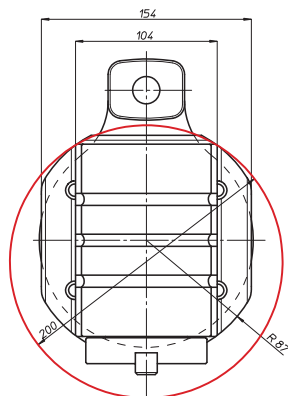
prestazioni
performances **TA26P**

TA26P-DIN2080.50
TA26P-ANSI B5.18 NMTB50

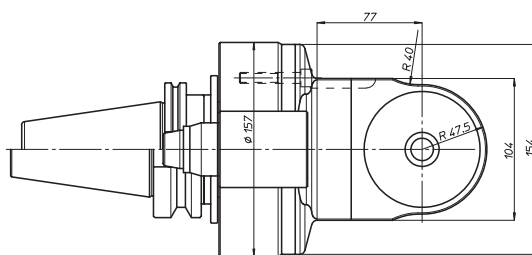
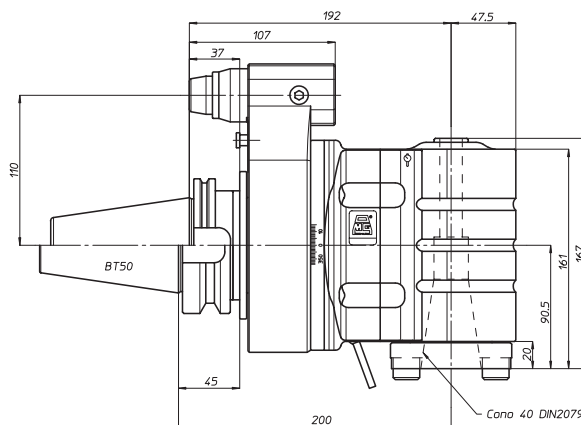


TA26.40

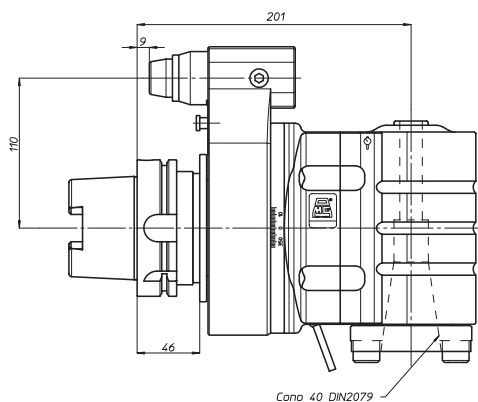
TA26.40-DIN69871.A50
 TA26.40-ANSI B5.50 CAT50
 TA26.40-MAS403.BT50



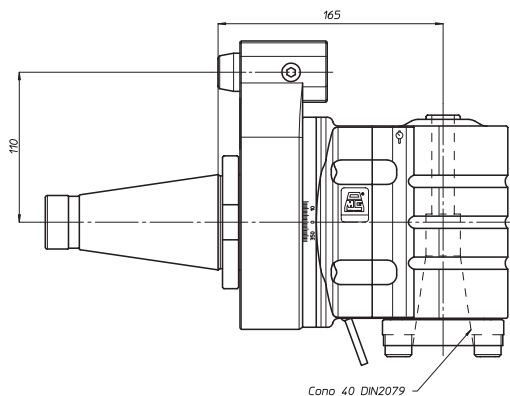
Diametro minimo del foro in cui entra la testa



TA26.40-DIN69893.HSK.A100



TA26.40-DIN2080.50
 TA26.40-ANSI B5.18 NMTB50



-  ϕ 26
-  M20
-  1-1
-  giri/1' r.p.m. 2500

peso/weight



22 kg

rotazione/rotation

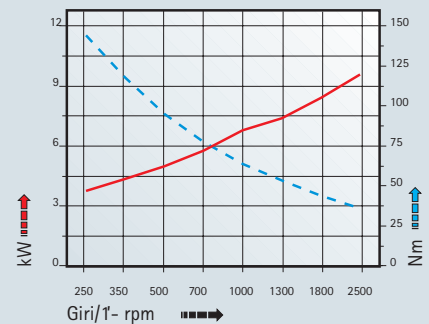


input



output

prestazioni performances **TA26.40**



TA

MO

HT

VH

TSI/TSX

T

MT-TC-TC3

Accessori
Accessories

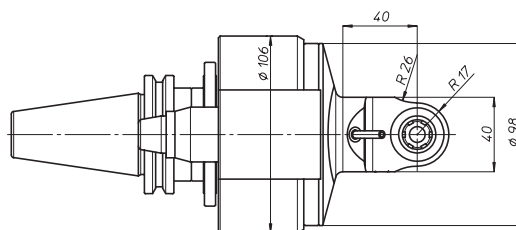
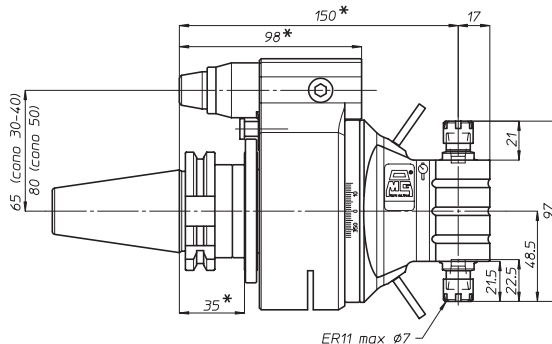
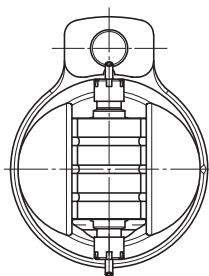
Appendice tecnica
Technical supplement

testa ad angolo - angle head

TA07.2P

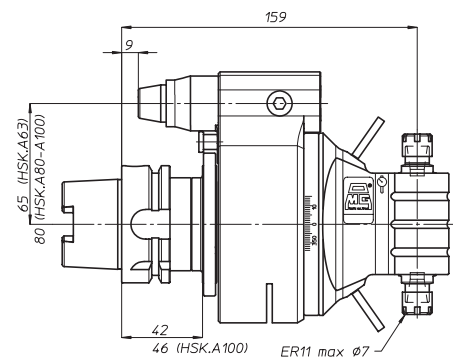


- TA07.2P-DIN69871.A30
- TA07.2P-DIN69871.A40
- TA07.2P-DIN69871.A45
- TA07.2P-DIN69871.A50
- TA07.2P-ANSI B5.50 CAT40
- TA07.2P-ANSI B5.50 CAT50
- TA07.2P-MAS403.BT40
- TA07.2P-MAS403.BT50

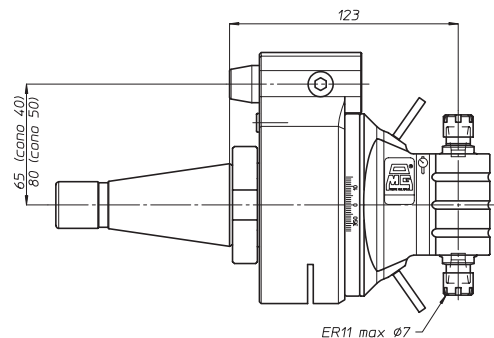


* Con cono BT50 aumentate le quote di 8 mm
Increase the quote by 8 mm when using BT50 shank

- TA07.2P-DIN69893.HSK.A63
- TA07.2P-DIN69893.HSK.A80
- TA07.2P-DIN69893.HSK.A100



- TA07.2P-DIN2080.40
- TA07.2P-DIN2080.50
- TA07.2P-ANSI B5.18 NMTB40
- TA07.2P-ANSI B5.18 NMTB50



peso/weight



5 kg



7 kg

rotazione/rotation

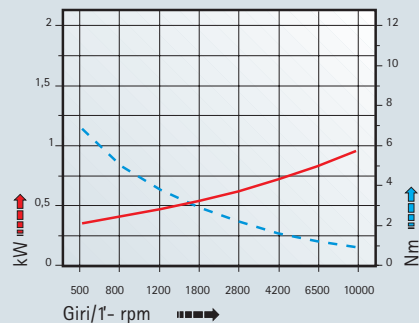


input



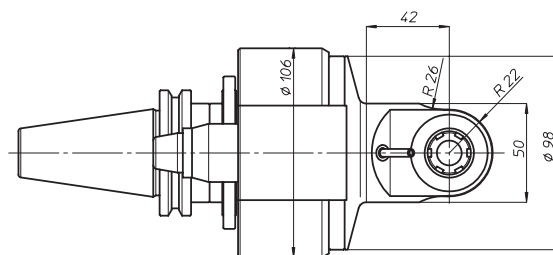
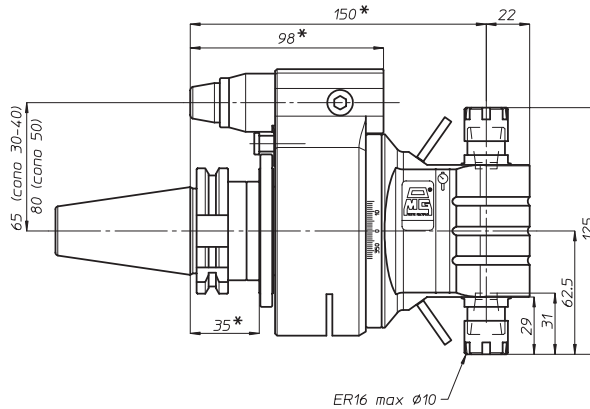
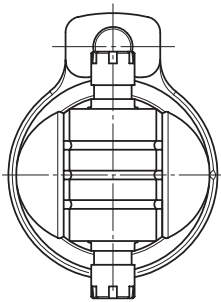
output

prestazioni performances **TA07.2P**



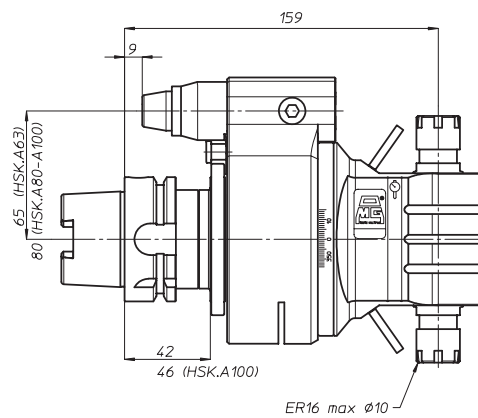
TA10.2P

- TA10.2P-DIN69871.A30
- TA10.2P-DIN69871.A40
- TA10.2P-DIN69871.A45
- TA10.2P-DIN69871.A50
- TA10.2P-ANSI B5.50 CAT40
- TA10.2P-ANSI B5.50 CAT50
- TA10.2P-MAS403.BT40
- TA10.2P-MAS403.BT50

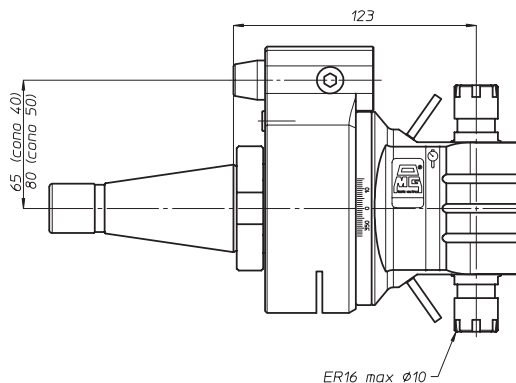


* Con cono BT50 aumentate le quote di 8 mm
Increase the quote by 8 mm when using BT50 shank

- TA10.2P-DIN69893.HSK.A63
- TA10.2P-DIN69893.HSK.A80
- TA10.2P-DIN69893.HSK.A100



- TA10.2P-DIN2080.40
- TA10.2P-DIN2080.50
- TA10.2P-ANSI B5.18 NMTB40
- TA10.2P-ANSI B5.18 NMTB50



peso/weight



5,5 kg



7,5 kg

rotazione/rotation

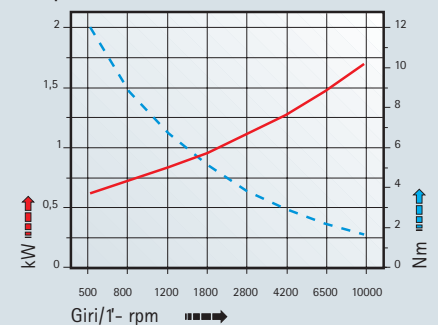


input



output

prestazioni performances **TA10.2P**



TA

MO

HT

VH

TSI/TSX

T

MT-TC-TC3

Accessori
Accessories

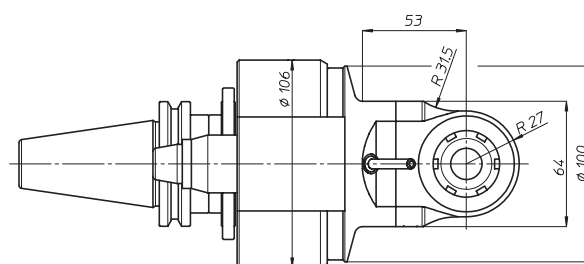
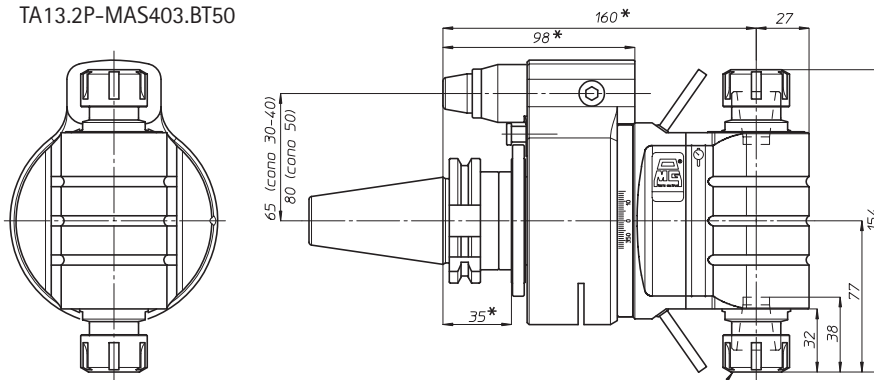
Appendice tecnica
Technical supplement

testa ad angolo - angle head

TA13.2P

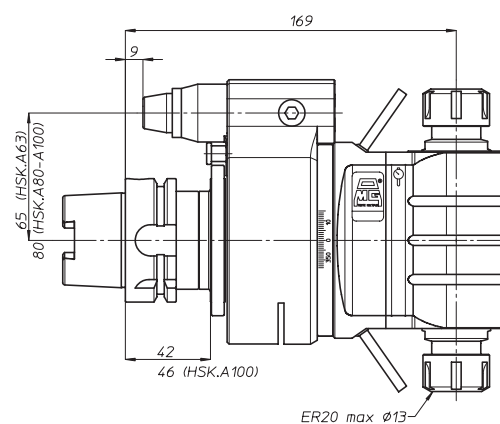


- TA13.2P-DIN69871.A40
- TA13.2P-DIN69871.A45
- TA13.2P-DIN69871.A50
- TA13.2P-ANSI B5.50 CAT40
- TA13.2P-ANSI B5.50 CAT50
- TA13.2P-MAS403.BT40
- TA13.2P-MAS403.BT50

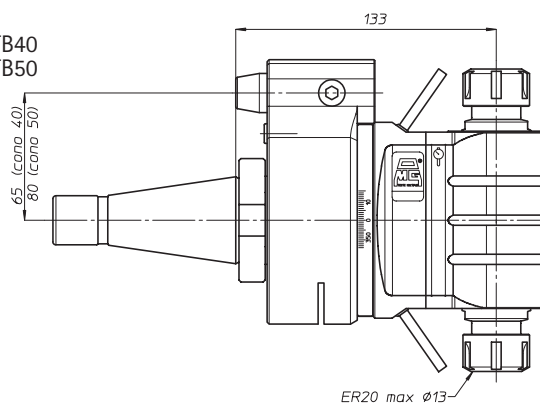


* Con cono BT50 aumentate le quote di 8 mm
Increase the quote by 8 mm when using BT50 shank

- TA13.2P-DIN69893.HSK.A63
- TA13.2P-DIN69893.HSK.A80
- TA13.2P-DIN69893.HSK.A100



- TA13.2P-DIN2080.40
- TA13.2P-DIN2080.50
- TA13.2P-ANSI B5.18 NMTB40
- TA13.2P-ANSI B5.18 NMTB50



peso/weight



6,5 kg



9 kg

rotazione/rotation

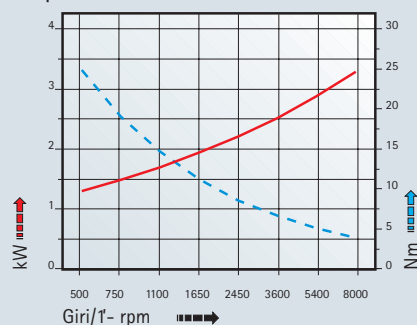


input



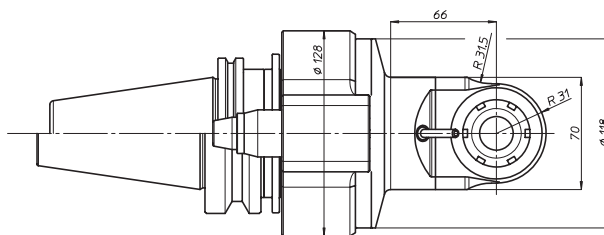
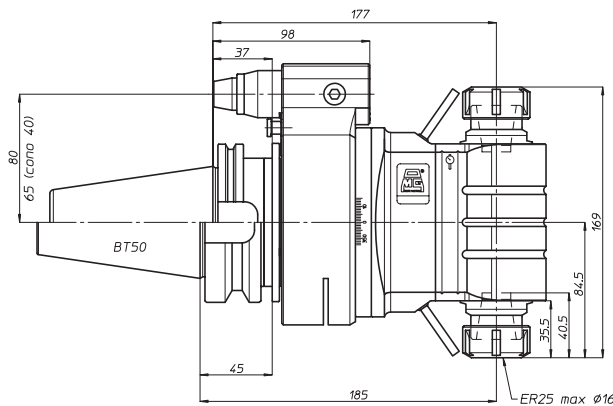
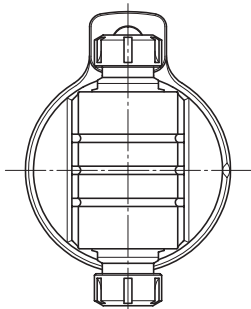
output

prestazioni performances **TA13.2P**

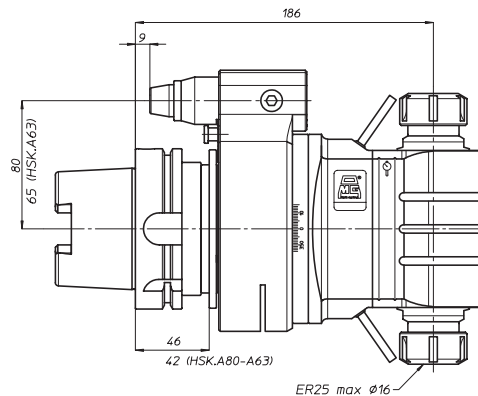


TA16.2P

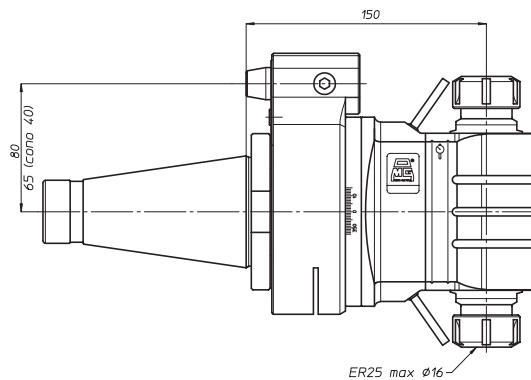
TA16.2P-DIN69871.A40
 TA16.2P-DIN69871.A45
 TA16.2P-DIN69871.A50
 TA16.2P-ANSI B5.50 CAT40
 TA16.2P-ANSI B5.50 CAT50
 TA16.2P-MAS403.BT40
 TA16.2P-MAS403.BT50



TA16.2P-DIN69893.HSK.A63
 TA16.2P-DIN69893.HSK.A80
 TA16.2P-DIN69893.HSK.A100



TA16.2P-DIN2080.40
 TA16.2P-DIN2080.50
 TA16.2P-ANSI B5.18 NMTB40
 TA16.2P-ANSI B5.18 NMTB50



peso/weight



7,7 kg



12,2 kg

rotazione/rotation

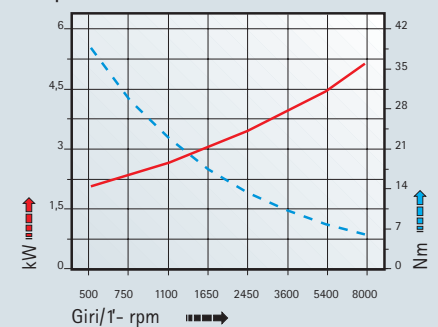


input



output

prestazioni performances **TA16.2P**



TA

MO

HT

VH

TSI/TSX

T

MT-TC-TC3

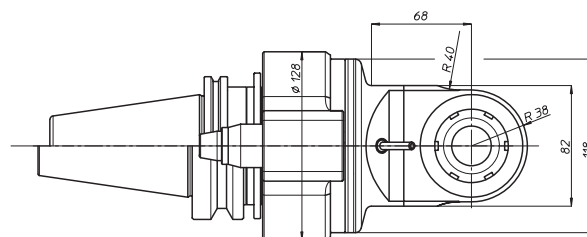
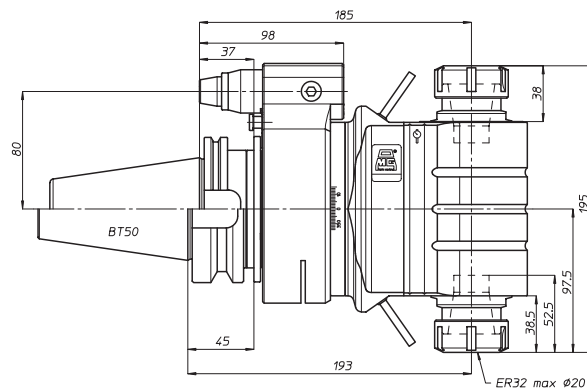
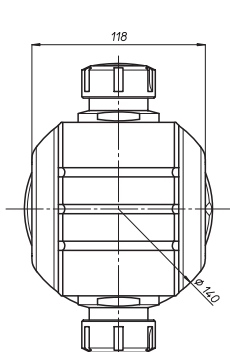
Accessori
Accessories

Appendice tecnica
Technical supplement

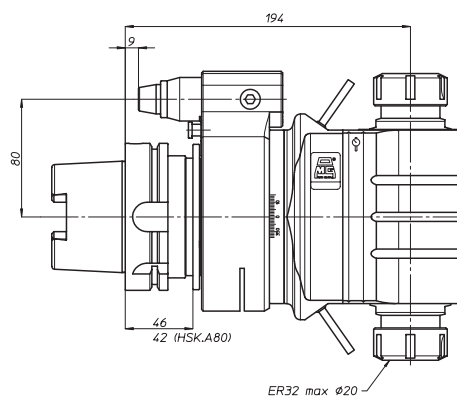
testa ad angolo - angle head

TA20.2P

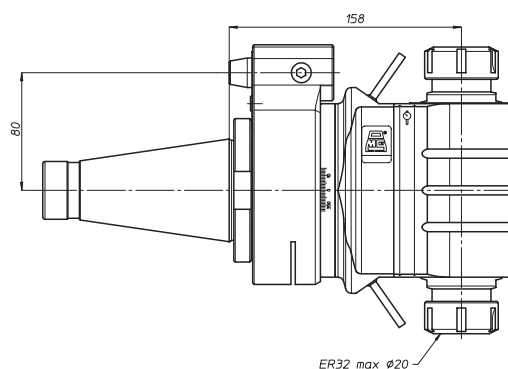
TA20.2P-DIN69871.A45
 TA20.2P-DIN69871.A50
 TA20.2P-ANSI B5.50 CAT50
 TA20.2P-MAS403.BT50



TA20.2P-DIN69893.HSK.A80
 TA20.2P-DIN69893.HSK.A100



TA20.2P-DIN2080.50
 TA20.2P-ANSI B5.18 NMTB50



peso/weight



15 kg

rotazione/rotation

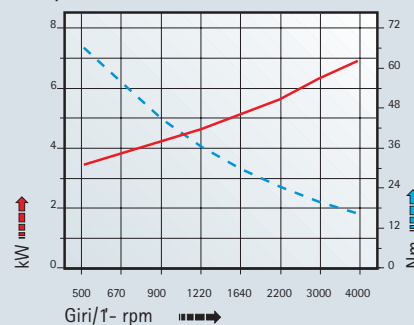


input



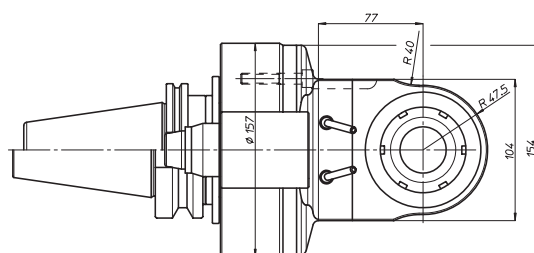
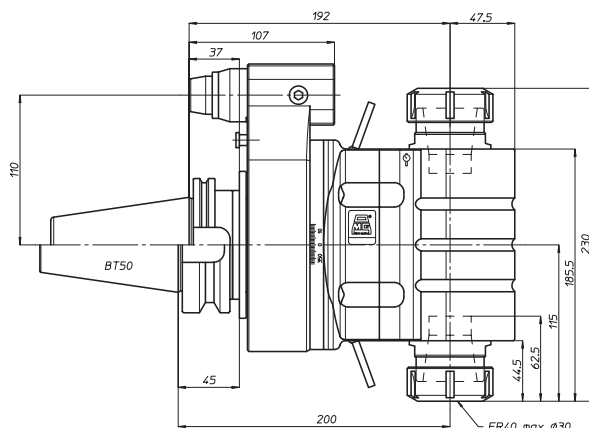
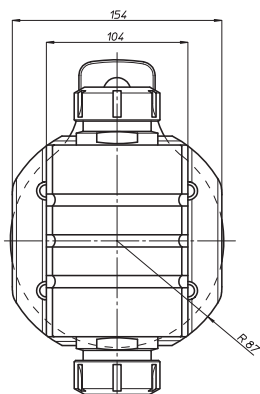
output

prestazioni performances **TA20.2P**

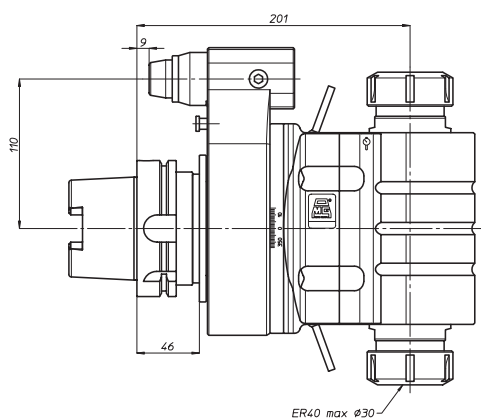


TA26.2P

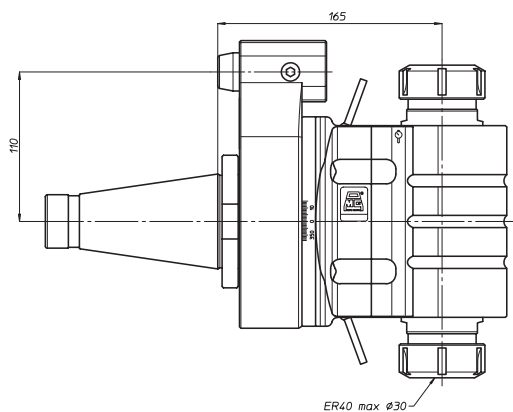
TA26.2P-DIN69871.A50
 TA26.2P-ANSI B5.50 CAT50
 TA26.2P-MAS403.BT50



TA26.2P-DIN69893.HSK.A100



TA26.2P-DIN2080.50
 TA26.2P-ANSI B5.18 NMTB50



peso/weight



22,5 kg

rotazione/rotation

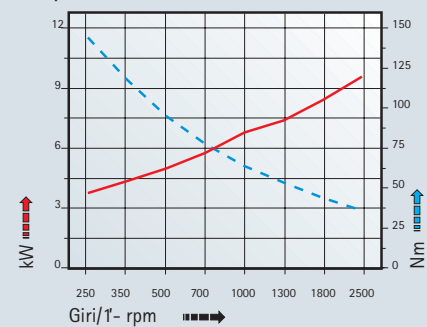


input



output

prestazioni performances **TA26.2P**



TA

MO

HT

VH

TSI/TSX

T

MT-TC-TC3

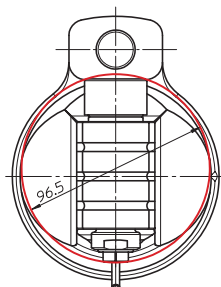
Accessori
Accessories

Appendice tecnica
Technical supplement

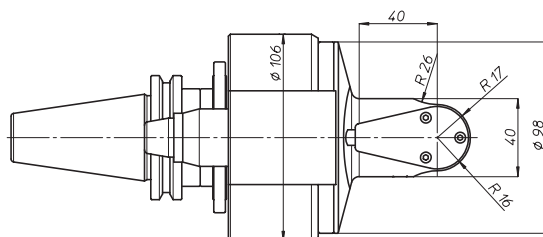
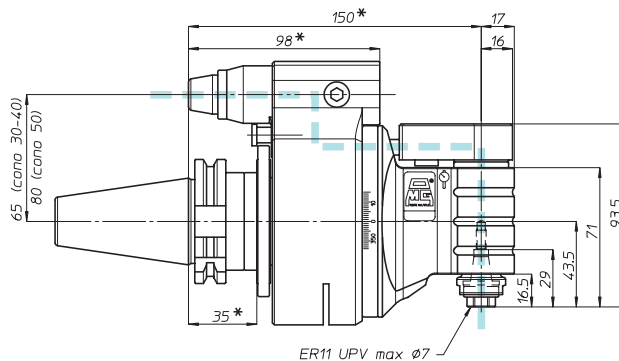
testa ad angolo - angle head

TA07.PD

- TA07PD-DIN69871.A30
- TA07PD-DIN69871.A40
- TA07PD-DIN69871.A45
- TA07PD-DIN69871.A50
- TA07PD-ANSI B5.50 CAT40
- TA07PD-ANSI B5.50 CAT50
- TA07PD-MAS403.BT40
- TA07PD-MAS403.BT50

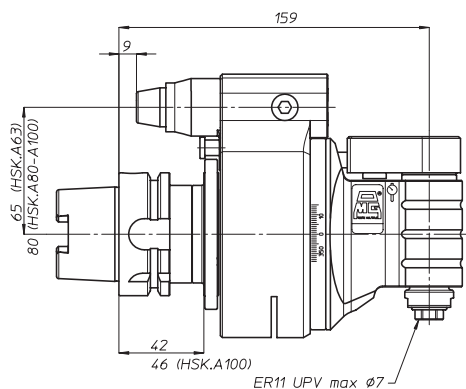


Diametro minimo del foro in cui entra la testa

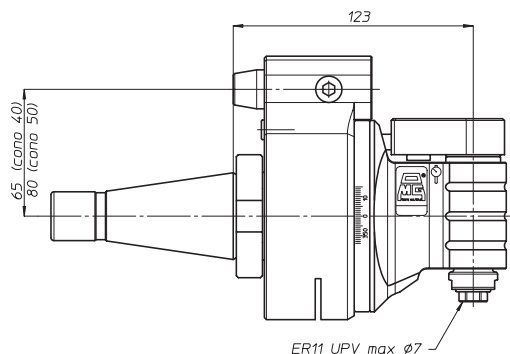


* Con cono BT50 aumentate le quote di 8 mm
Increase the quote by 8 mm when using BT50 shank

- TA07PD-DIN69893.HSK.A63
- TA07PD-DIN69893.HSK.A80
- TA07PD-DIN69893.HSK.A100



- TA07PD-DIN2080.40
- TA07PD-DIN2080.50
- TA07PD-ANSI B5.18 NMTB40
- TA07PD-ANSI B5.18 NMTB50



peso/weight



5 kg



7 kg

rotazione/rotation



input



output

prestazioni performances TA07.PD

