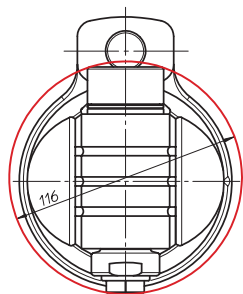
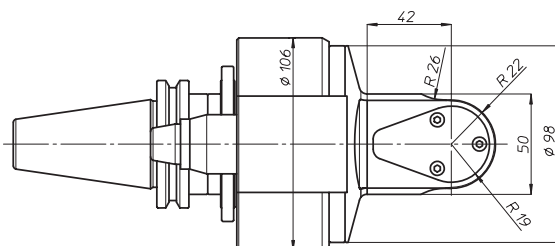
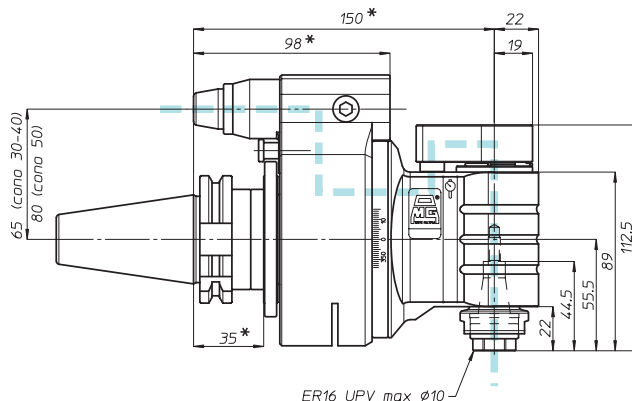


# TA10.PD

TA10PD-DIN69871.A30  
 TA10PD-DIN69871.A40  
 TA10PD-DIN69871.A45  
 TA10PD-DIN69871.A50  
 TA10PD-ANSI B5.50 CAT40  
 TA10PD-ANSI B5.50 CAT50  
 TA10PD-MAS403.BT40  
 TA10PD-MAS403.BT50

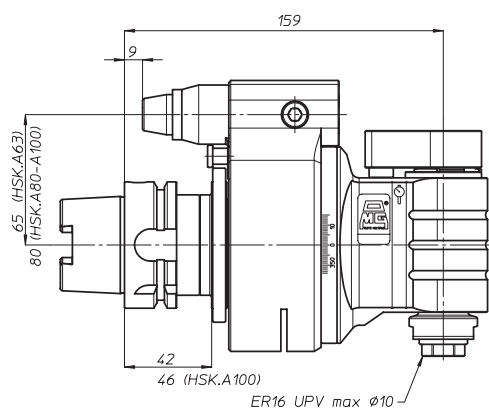


Diametro minimo del foro in cui entra la testa

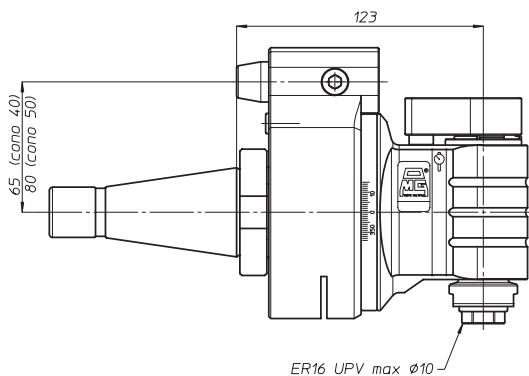


\* Con cono BT50 aumentate le quote di 8 mm  
 Increase the quote by 8 mm when using BT50 shank

TA10PD-DIN69893.HSK.A63  
 TA10PD-DIN69893.HSK.A80  
 TA10PD-DIN69893.HSK.A100



TA10PD-DIN2080.40  
 TA10PD-DIN2080.50  
 TA10PD-ANSI B5.18 NMTB40  
 TA10PD-ANSI B5.18 NMTB50



peso/weight



5,5 kg



7,5 kg

rotazione/rotation

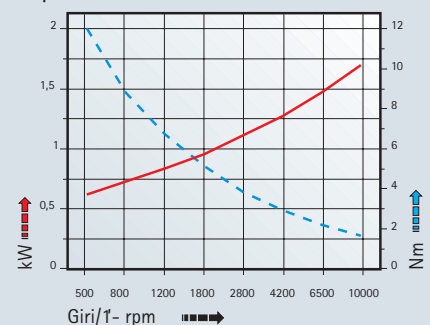


input



output

prestazioni performances TA10.PD

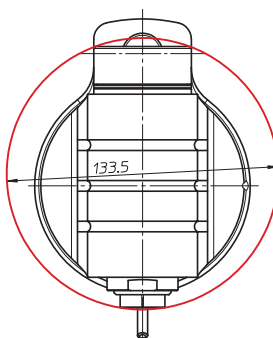


testa ad angolo - angle head

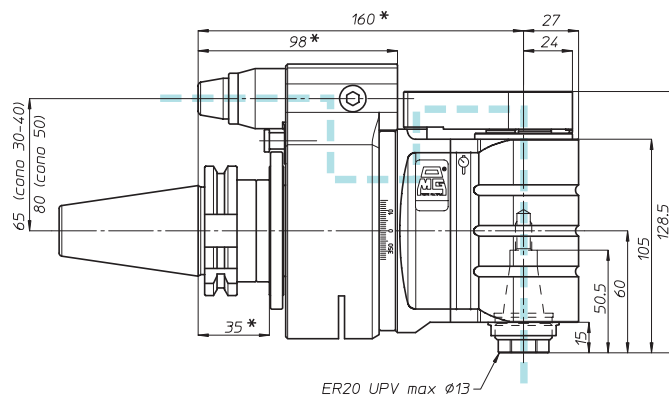
# TA13.PD



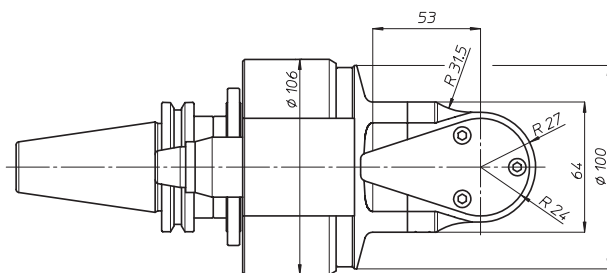
- TA13PD-DIN69871.A40
- TA13PD-DIN69871.A45
- TA13PD-DIN69871.A50
- TA13PD-ANSI B5.50 CAT40
- TA13PD-ANSI B5.50 CAT50
- TA13PD-MAS403.BT40
- TA13PD-MAS403.BT50



Diametro minimo del foro in cui entra la testa

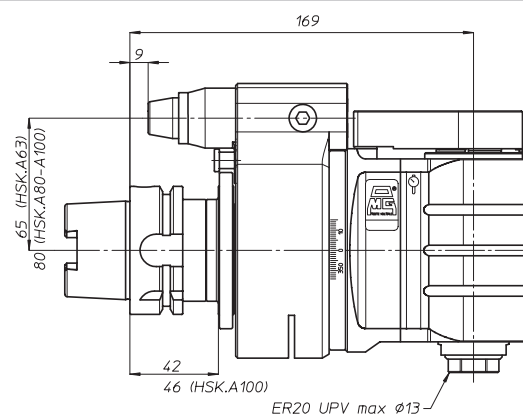


ER20 UPV max  $\phi 13$



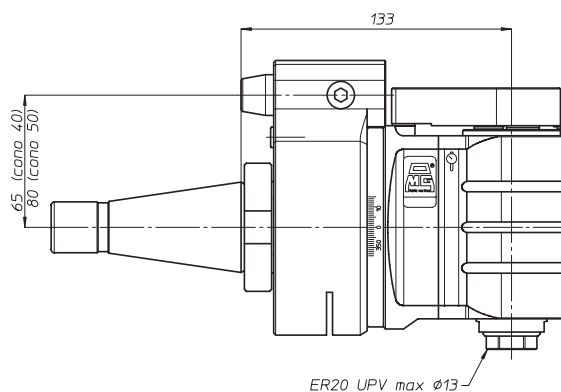
\* Con cono BT50 aumentate le quote di 8 mm  
Increase the quote by 8 mm when using BT50 shank

- TA13PD-DIN69893.HSK.A63
- TA13PD-DIN69893.HSK.A80
- TA13PD-DIN69893.HSK.A100



ER20 UPV max  $\phi 13$

- TA13PD-DIN2080.40
- TA13PD-DIN2080.50
- TA13PD-ANSI B5.18 NMTB40
- TA13PD-ANSI B5.18 NMTB50



ER20 UPV max  $\phi 13$



$\phi 13$

M10

1-1

8000



10 bar

peso/weight



6,5 kg



9 kg

rotazione/rotation

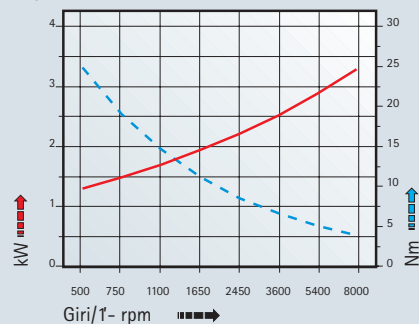


input



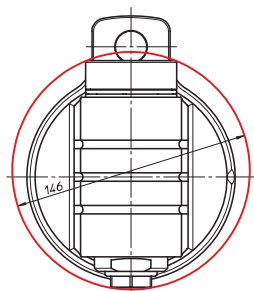
output

prestazioni performances **TA13.PD**

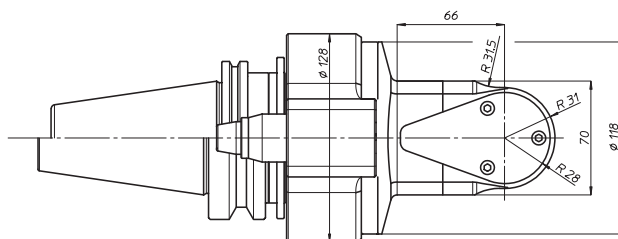
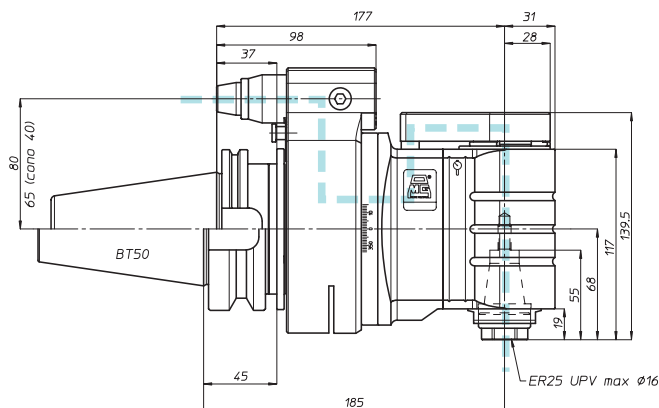


# TA16.PD

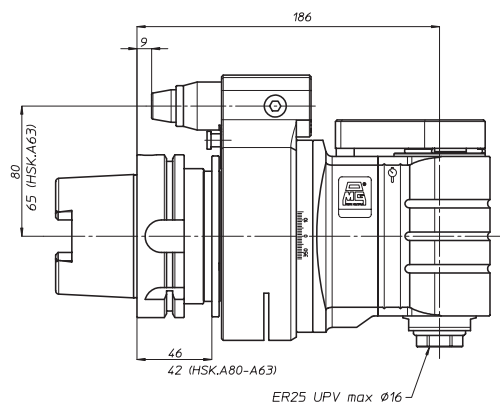
TA16PD-DIN69871.A40  
 TA16PD-DIN69871.A45  
 TA16PD-DIN69871.A50  
 TA16PD-ANSI B5.50 CAT40  
 TA16PD-ANSI B5.50 CAT50  
 TA16PD-MAS403.BT40  
 TA16PD-MAS403.BT50



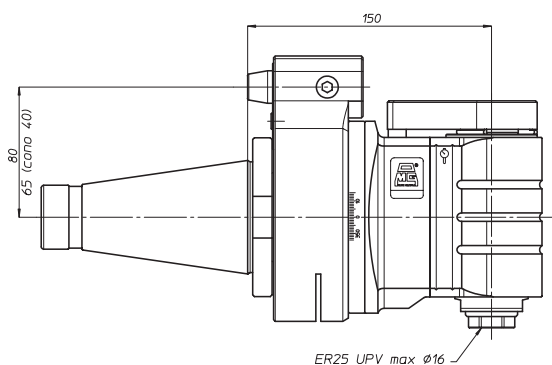
Diametro minimo del foro  
in cui entra la testa



TA16PD-DIN69893.HSK.A63  
 TA16PD-DIN69893.HSK.A80  
 TA16PD-DIN69893.HSK.A100



TA16PD-DIN2080.40  
 TA16PD-DIN2080.50  
 TA16PD-ANSI B5.18 NMTB40  
 TA16PD-ANSI B5.18 NMTB50



Ø 16

M12

1-1

5000



10 bar

peso/weight



7,7 kg



12 kg

rotazione/rotation

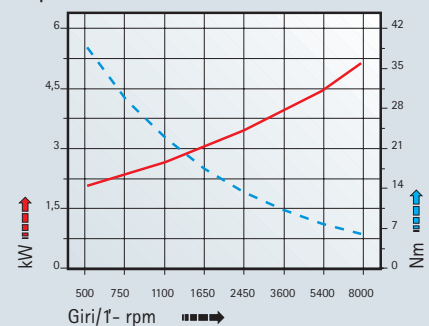


input



output

prestazioni performances TA16.PD



TA

MO

HT

VH

TSI/TSX

T

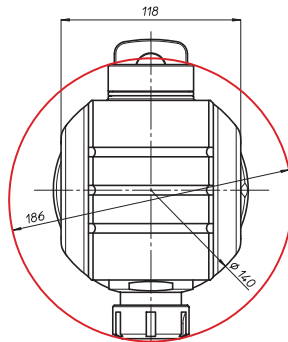
MT-TC-TC3

Accessori  
AccessoriesAppendice tecnica  
Technical supplement

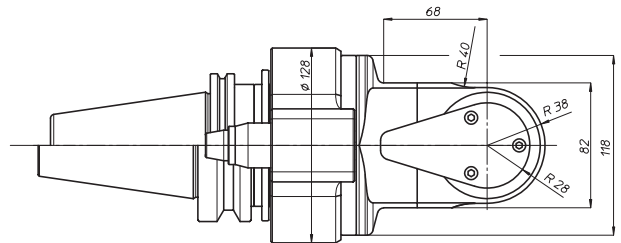
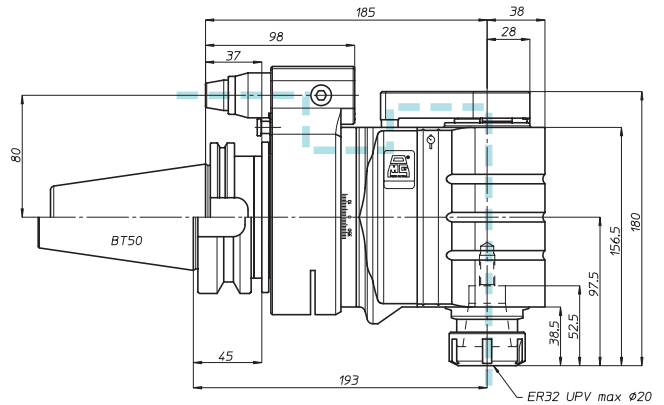
testa ad angolo - angle head

# TA20.PD

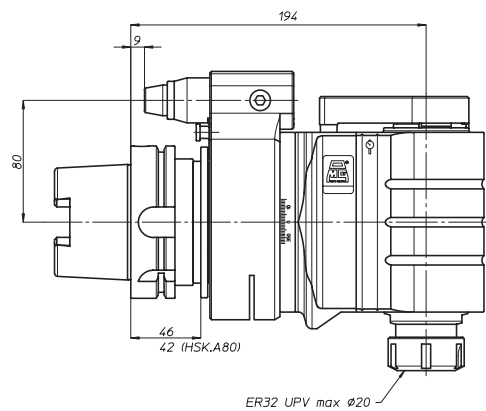
TA20PD-DIN69871.A45  
TA20PD-DIN69871.A50  
TA20PD-ANSI B5.50 CAT50  
TA20PD-MAS403.BT50



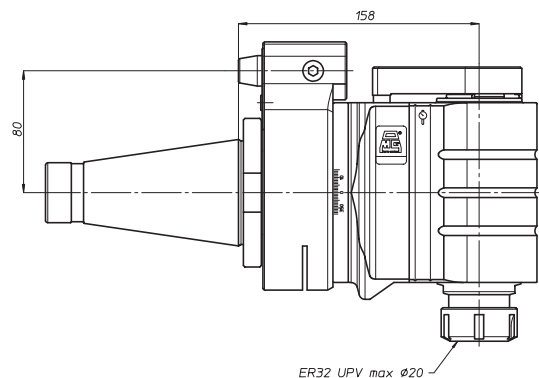
Diametro minimo del foro  
in cui entra la testa



TA20PD-DIN69893.HSK.A80  
TA20PD-DIN69893.HSK.A100



TA20PD-DIN2080.50  
TA20PD-ANSI B5.18 NMTB50



peso/weight



14,5 kg

rotazione/rotation

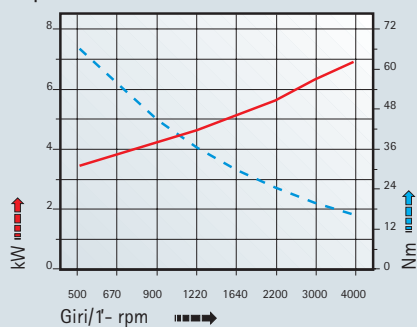


input



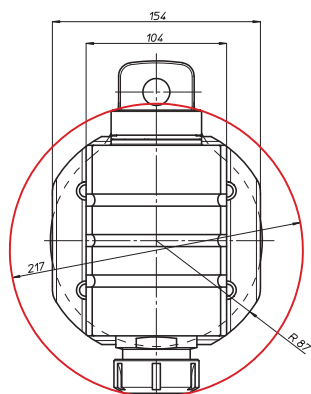
output

prestazioni  
performances **TA20.PD**

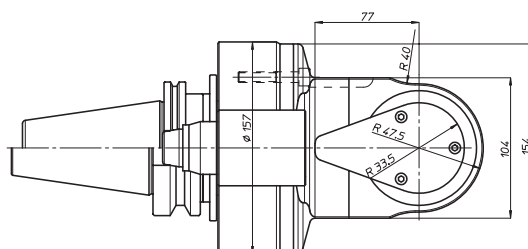
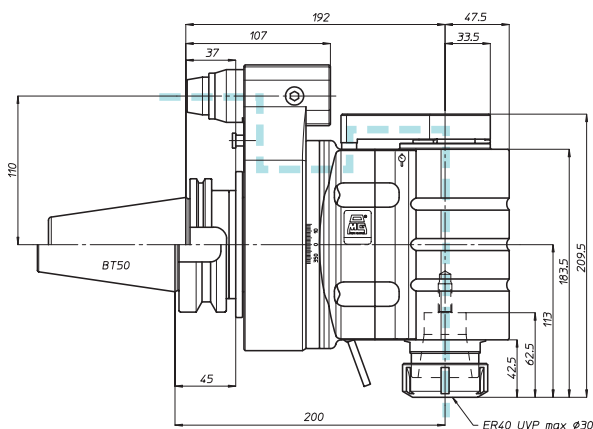


# TA26.PD

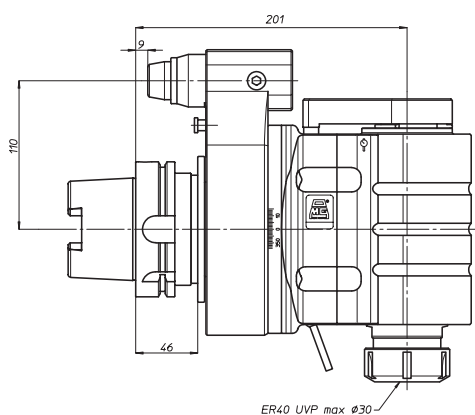
TA26PD-DIN69871.A50  
 TA26PD-ANSI B5.50 CAT50  
 TA26PD-MAS403.BT50



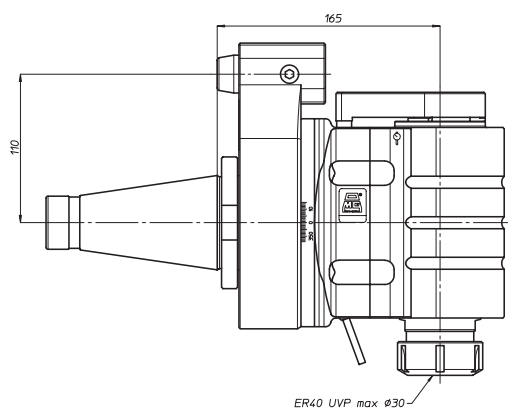
Diametro minimo del foro  
 in cui entra la testa



TA26PD-DIN69893.HSK.A100



TA26PD-DIN2080.50  
 TA26PD-ANSI B5.18 NMTB50



peso/weight



22 kg

rotazione/rotation

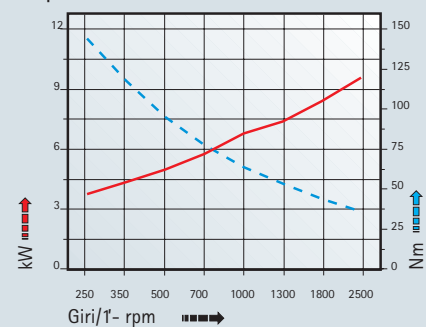


input



output

prestazioni  
 performances **TA26.PD**



TA

MO

HT

VH

TSI/TSX

T

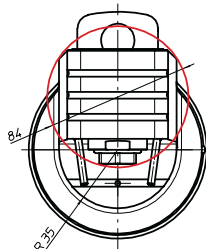
MT-TC-TC3

Accessori  
AccessoriesAppendice tecnica  
Technical supplement

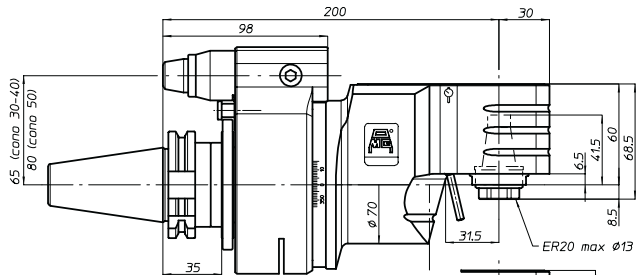
testa ad angolo - angle head

# TA013...

TA013...-DIN69871.A40  
 TA013...-DIN69871.A45  
 TA013...-DIN69871.A50  
 TA013...-ANSI B5.50 CAT40  
 TA013...-ANSI B5.50 CAT50  
 TA013...-MAS403.BT40  
 TA013...-MAS403.BT50



Diametro minimo del foro  
in cui entra la testa



TA013.P



ø 13

M10

1-1

4500

peso/weight



7,5 kg



10,5 kg

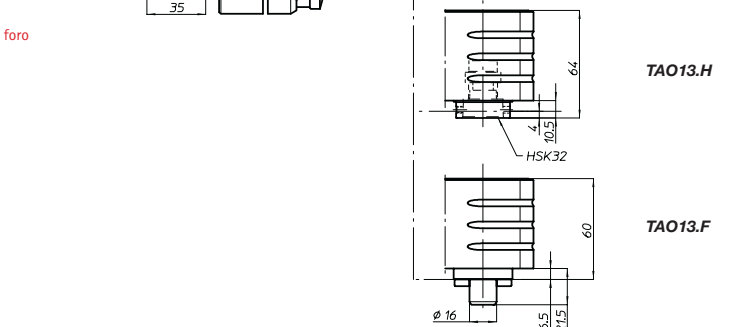
rotazione/rotation



input

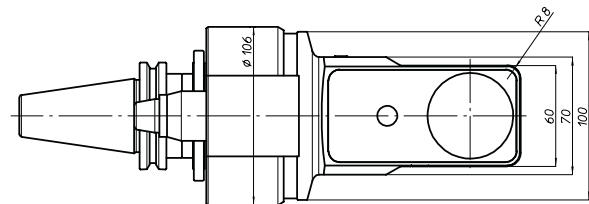


output

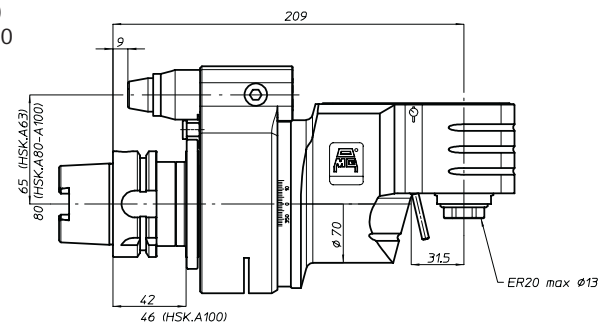


TA013.H

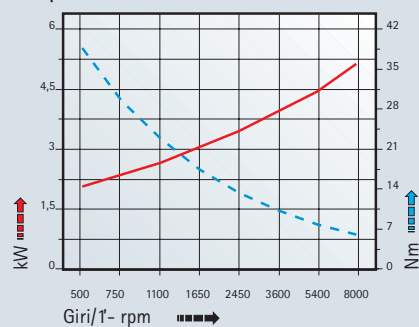
TA013.F



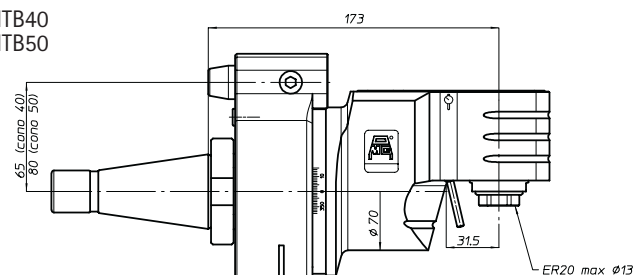
TA013...-DIN69893.HSK.A63  
 TA013...-DIN69893.HSK.A80  
 TA013...-DIN69893.HSK.A100



prestazioni  
performances **TA013P**

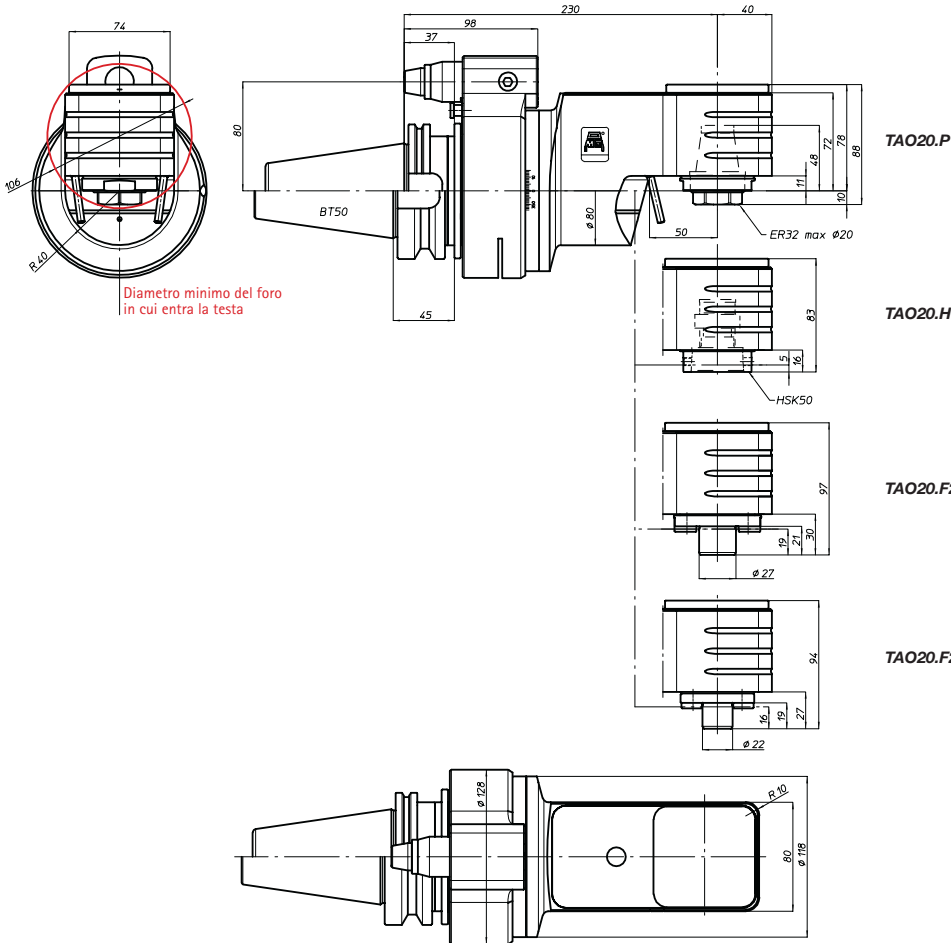


TA013...-DIN2080.40  
 TA013...-DIN2080.50  
 TA013...-ANSI B5.18 NMTB40  
 TA013...-ANSI B5.18 NMTB50

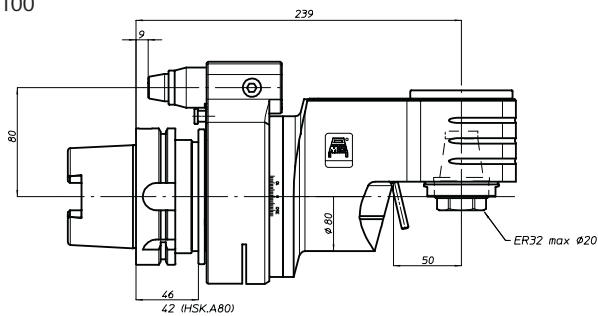


# TAO20...

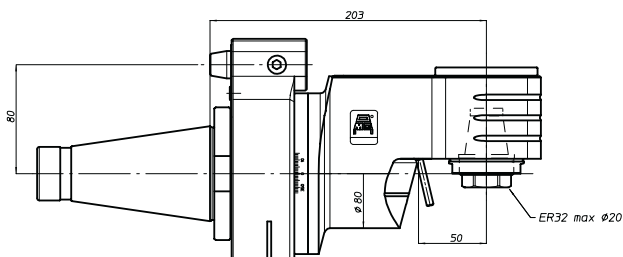
TAO20...-DIN69871.A45  
 TAO20...-DIN69871.A50  
 TAO20...-ANSI B5.50 CAT50  
 TAO20...-MAS403.BT50



TAO20...-DIN69893.HSK.A80  
 TAO20...-DIN69893.HSK.A100



TAO20...-DIN2080.50  
 TAO20...-ANSI B5.18 NMTB50

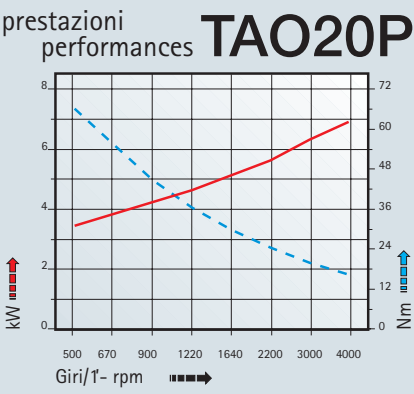


peso/weight

14,5 kg

rotazione/rotation

input output



TA

MO

HT

VH

TSI/TSX

T

MT-TC-TC3

Accessori  
Accessories

Appendice tecnica  
Technical supplement

TA

MO

HT

VH

TSI/TSX

T

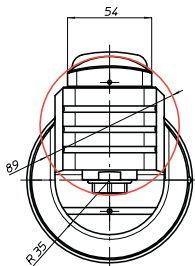
MT-TC-TC3

Accessori  
AccessoriesAppendice tecnica  
Technical supplement

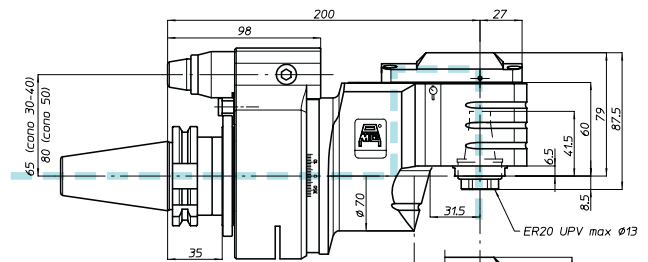
testa ad angolo - angle head

# TAO13...D

TAO13...-DIN69871.A40  
 TAO13...-DIN69871.A45  
 TAO13...-DIN69871.A50  
 TAO13...-ANSI B5.50 CAT40  
 TAO13...-ANSI B5.50 CAT50  
 TAO13...-MAS403.BT40  
 TAO13...-MAS403.BT50



Diametro minimo del foro  
in cui entra la testa



TAO13.PD



40 bar

peso/weight



7,5 kg



10,5 kg

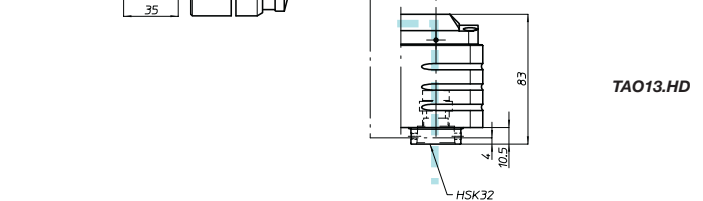
rotazione/rotation



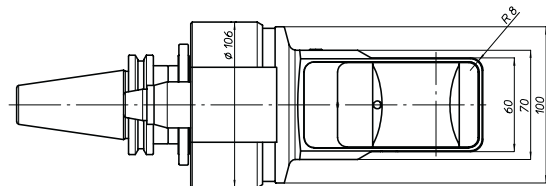
input



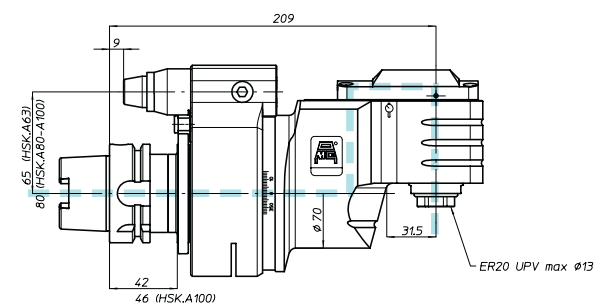
output



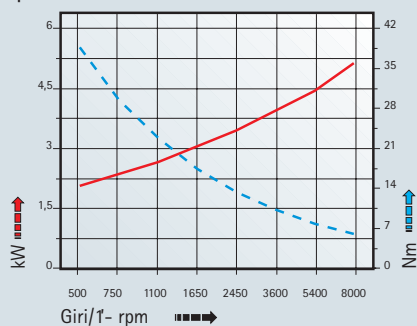
TAO13.HD



TAO13...-DIN69893.HSK.A63  
 TAO13...-DIN69893.HSK.A80  
 TAO13...-DIN69893.HSK.A100



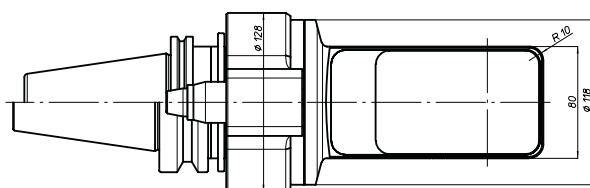
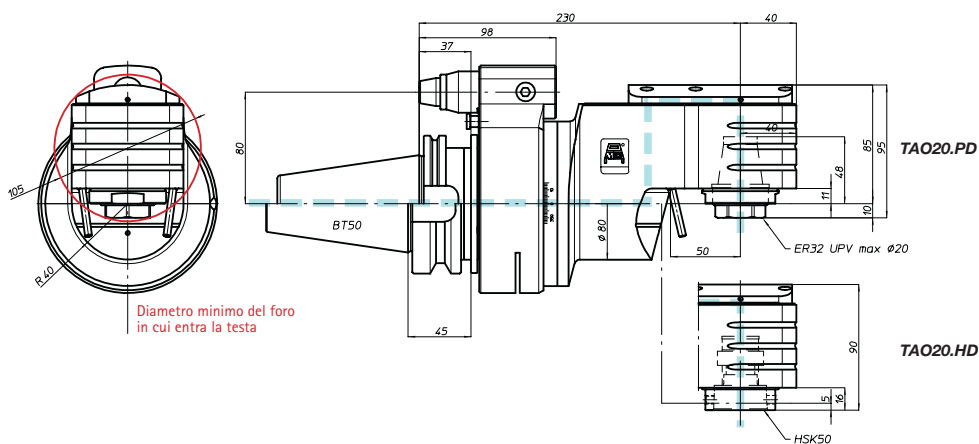
prestazioni  
performances **TAO13.PD**



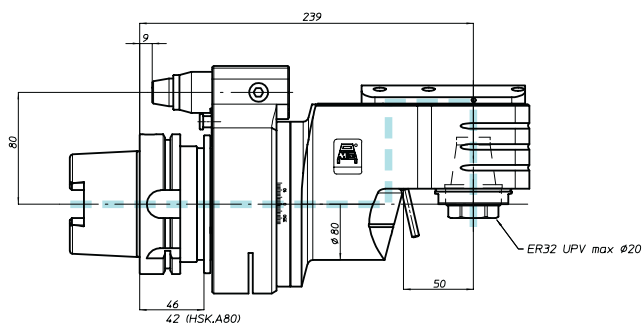


# TAO20...D

TAO20...-DIN69871.A45  
 TAO20...-DIN69871.A50  
 TAO20...-ANSI B5.50 CAT50  
 TAO20...-MAS403.BT50



TAO20...-DIN69893.HSK.A80  
 TAO20...-DIN69893.HSK.A100



- Ø 20
- M14
- 1-1
- 3500  
giri/1'  
r.p.m.

40 bar

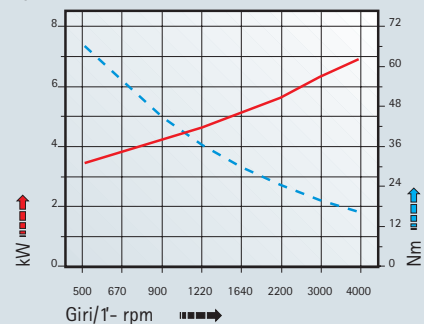
peso/weight

14,5 kg

rotazione/rotation

input
  
output

## prestazioni performances TAO20.PD



TA

MO

HT

VH

TSI/TSX

T

MT-TC-TC3

Accessori  
Accessories

Appendice tecnica  
Technical supplement

testa ad angolo - angle head

# TAV10.P



TAV10P-DIN69871.A40  
 TAV10P-DIN69871.A45  
 TAV10P-DIN69871.A50  
 TAV10P-ANSI B5.50 CAT40  
 TAV10P-ANSI B5.50 CAT50  
 TAV10P-MAS403.BT40  
 TAV10P-MAS403.BT50



peso/weight



6,4 kg



8,5 kg

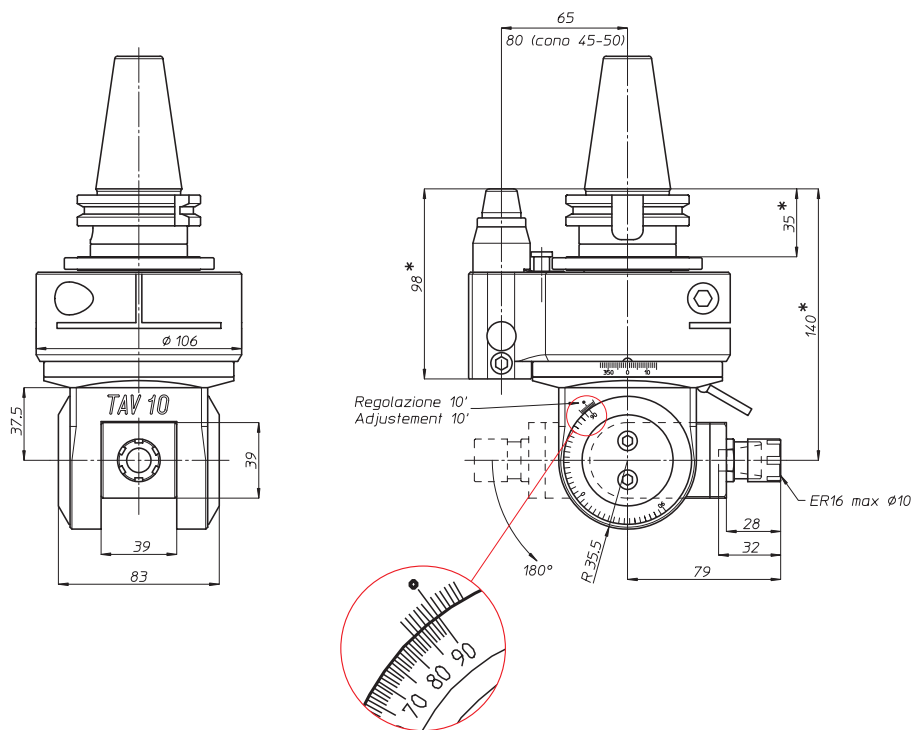
rotazione/rotation



input



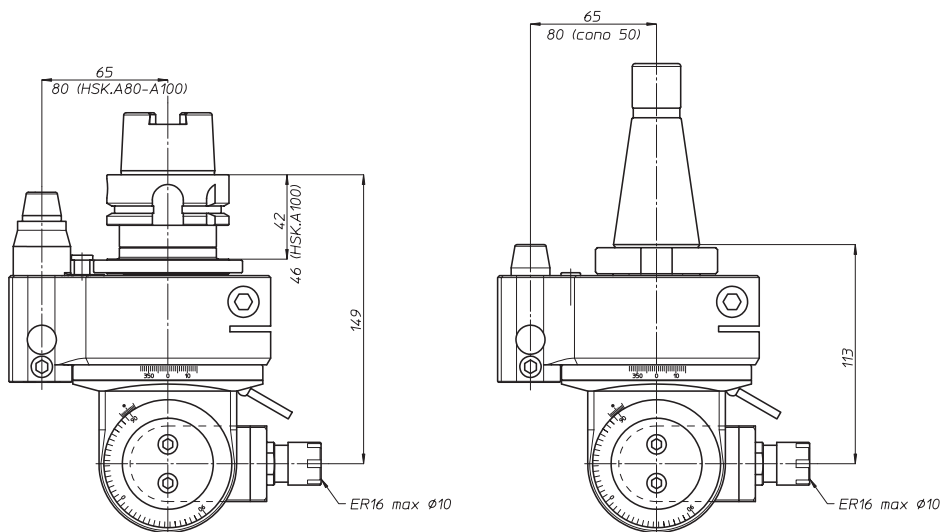
output



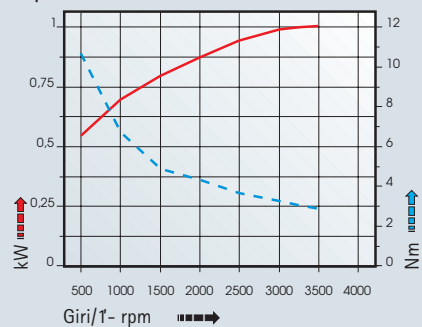
\* Con cono BT50 aumentate le quote di 8 mm  
 Increase the quote by 8 mm when using BT50 shank

TAV10P-DIN69893.HSK.A63  
 TAV10P-DIN69893.HSK.A80  
 TAV10P-DIN69893.HSK.A100

TAV10P-DIN2080.40  
 TAV10P-DIN2080.50  
 TAV10P-ANSI B5.18 NMTB40  
 TAV10P-ANSI B5.18 NMTB50



prestazioni performances **TAV10.P**



TA

MO

HT

VH

TSI/TSX

T

MT-TC-TC3

Accessori  
Accessories

Appendice tecnica  
Technical supplement